



33-800WATTS BRICK DC-DC CONVERTER Packaging Information

Contents

1. Package Quarter Brick	2
1-1. 2.28"x1.45"x0.50" CQB Series, CQE50W, FM30R080P, FM05D200P, MF20D075P, CQM Series	2
1-2. 2.28"x2.20"x0.50" CQB75-300SXX-F Series	2
2. Package Half Brick CHB Series, CHE100W, CHM Series	3
3. Package Full Brick CFB Series	3
4. Package 2"x1" FM10-100	4
5. Package 2"x1.6" FM20-100	4
6. Package 2.28"x2.40" FM10D200P	5
7. Package 4.41"x1.57"	5
CQE50W-CM/DIN, CQB75W-CM/DIN, CQB100W-CM/DIN, CQB100-110S-CM/DIN, CQB150W-CM/DIN, CQB150W-110S-CM/DIN	5
8. Package 4.61"x2.54"	6
CHB50W-CM/DIN, CHB75W-CM/DIN, CHE75W-CM/DIN, CHB100W-CM/DIN, CHE100W-CM/DIN	6
9. Package 4.60"x2.40" and 4.60"x2.49" CQB Series	7
10. Package 6.50"x3.00" and 6.50"x3.09" CHB Series	7
11. Package 9.45"x4.33" CFB Series	8
12. Package 4.60"x2.40"	8
EVB-CQB150(100)W-110S, EVB-CQB150-300S, EVB-CQB75-300S, EVB-CQB75(50)W8-36S, EVB-CQB50W12-72S	8
13. Package 6.50"x3.00" EVB-CHB300-300S, EVB-CHB300(200)W-110S	9
14. Package 9.45"x3.61" EVB-CFB750-300S	9
15. Package 4.60"x3.00" CQB-CMFD+HS(HD) Series	10
16. Package 6.54"x3.80" CHB-CMFD+HS(HD) Series	10
17. Package 6.98"x3.80" CHB200W12-CMFD+HS(HD) Series	11
18. Package 9.49"x5.13" FB-CMFD+HS(HD) Series	11
19. Package Eighth Brick	12
19-1. 2.45"x1.05"x0.50" CEB Series, MF10D075P	12
19-2. 2.45"x1.45"x0.50" CEB-F Series	12
20. Package 5.09"x2.28"x1.35" CRT100W12/60W12 Series	13

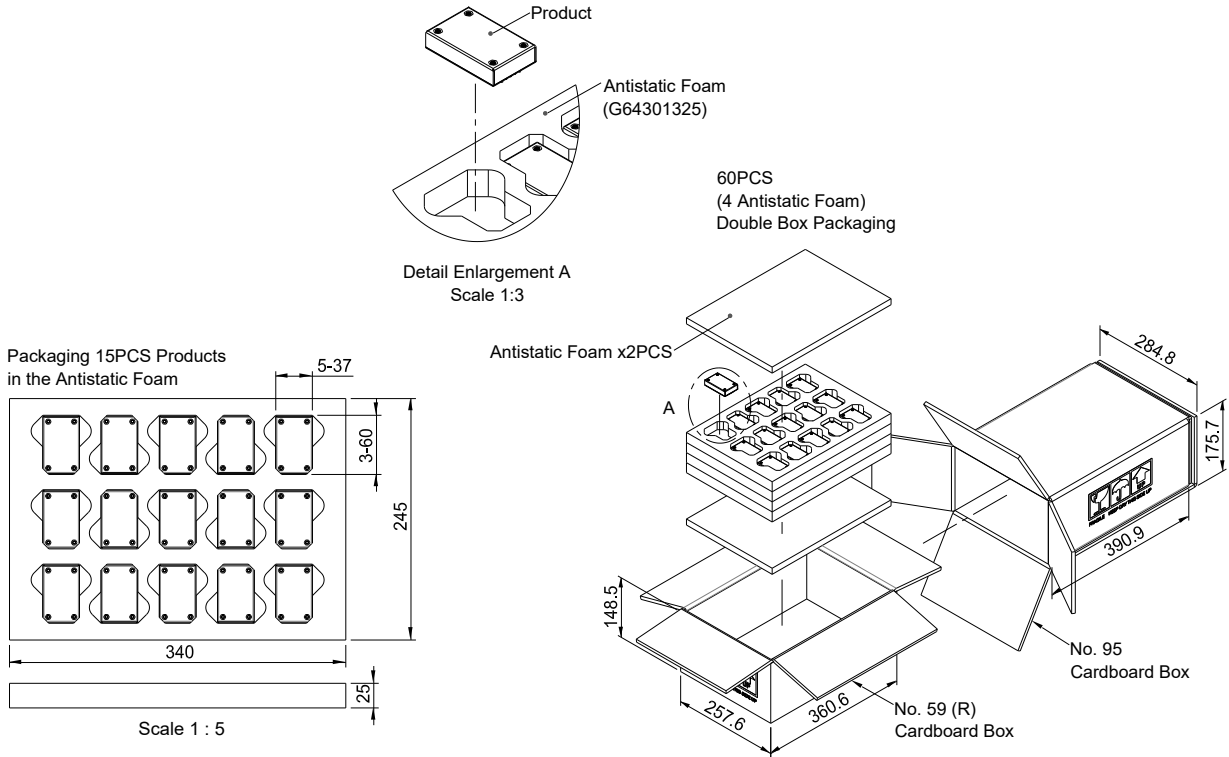
CINCON Electronics Co. Ltd.
Add: 14F, No. 306, Sec.4, Hsin Yi Rd., Taipei, Taiwan
Tel: 886-2-27086210
Fax: 886-2-27029852
E-mail: sales@cincon.com.tw
Web: www.cincon.com



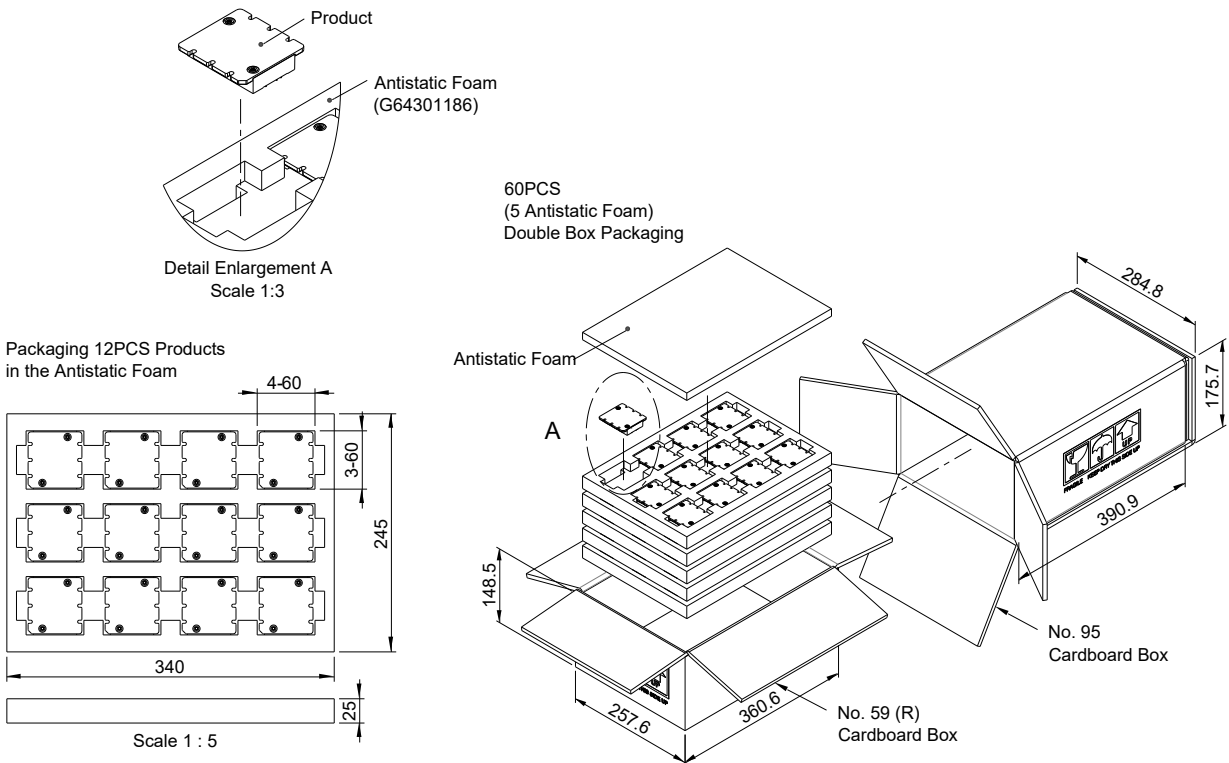
33-800WATTS BRICK DC-DC CONVERTER Packaging Information

1. Package Quarter Brick

1-1. 2.28"x1.45"x0.50" CQB Series, CQE50W, FM30R080P, FM05D200P, MF20D075P, CQM Series



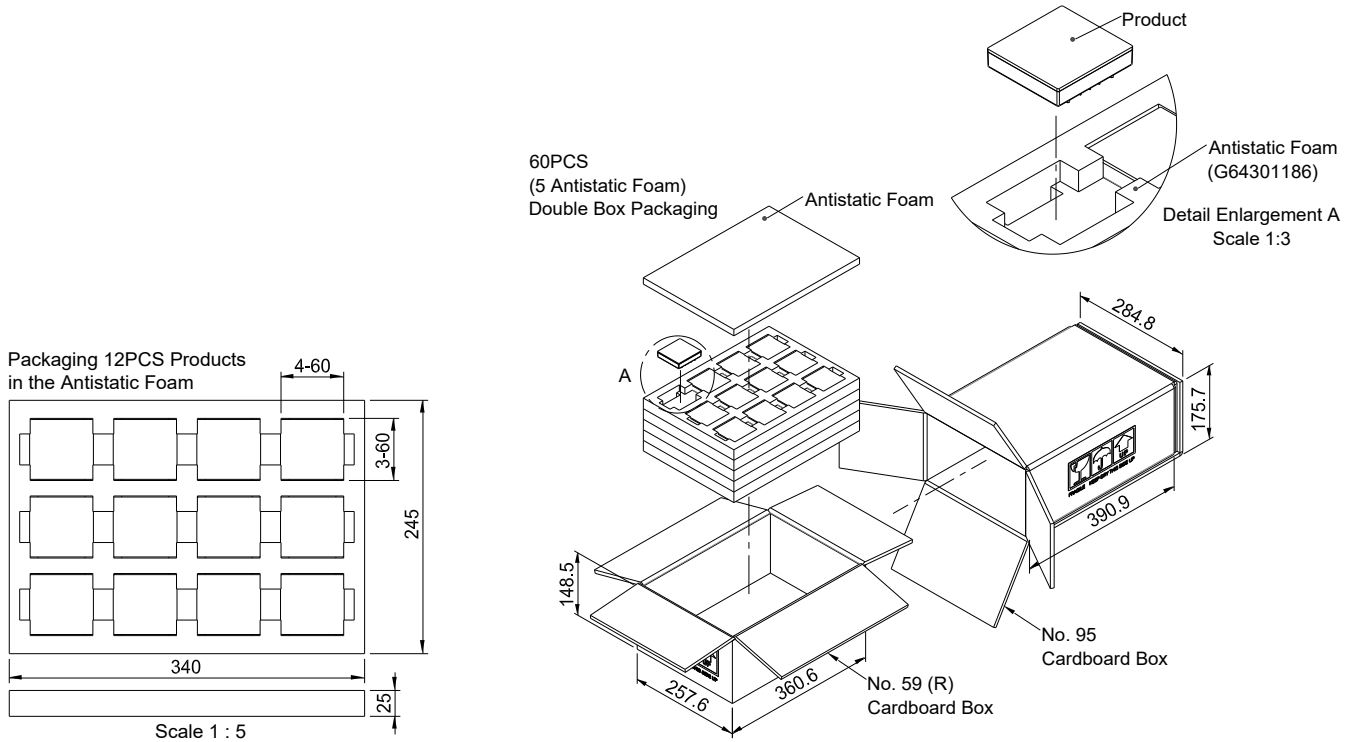
1-2. 2.28"x2.20"x0.50" CQB75-300SXX-F Series



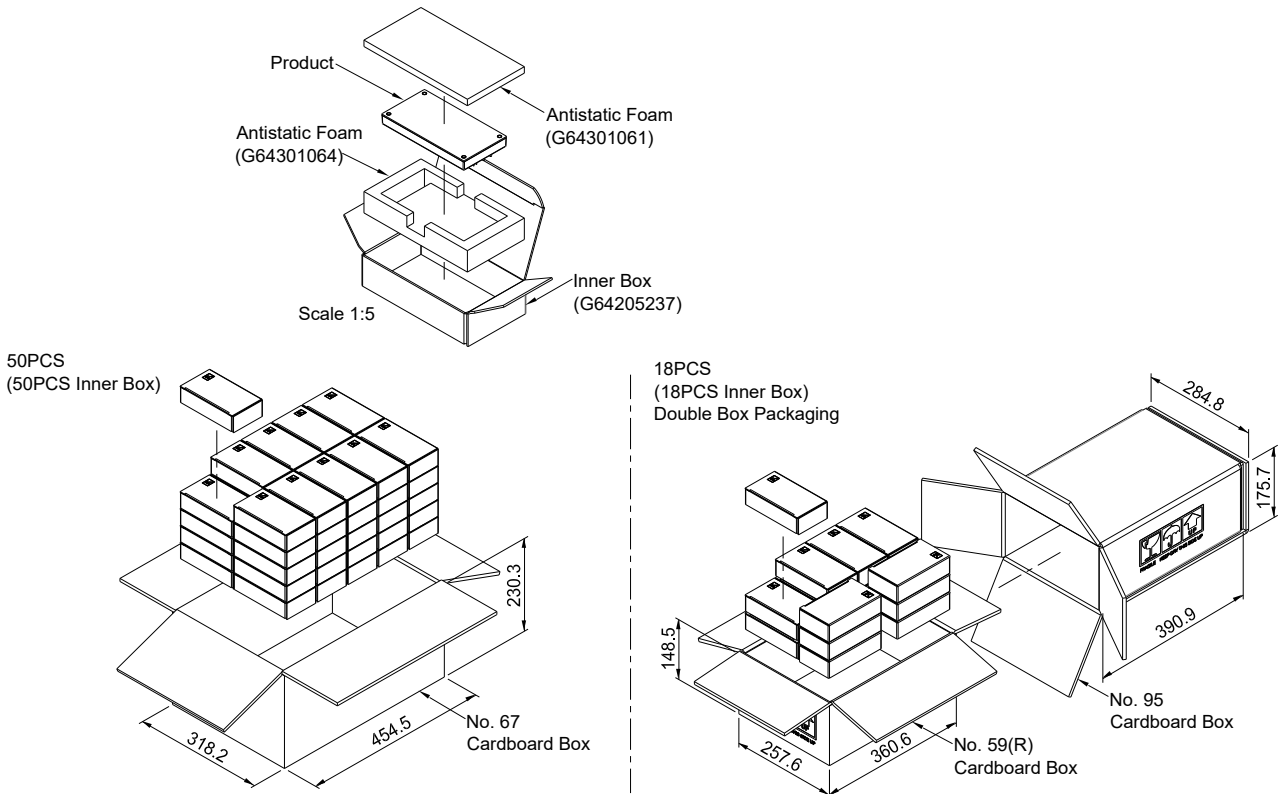


33-800WATTS BRICK DC-DC CONVERTER Packaging Information

2. Package Half Brick CHB Series, CHE100W, CHM Series



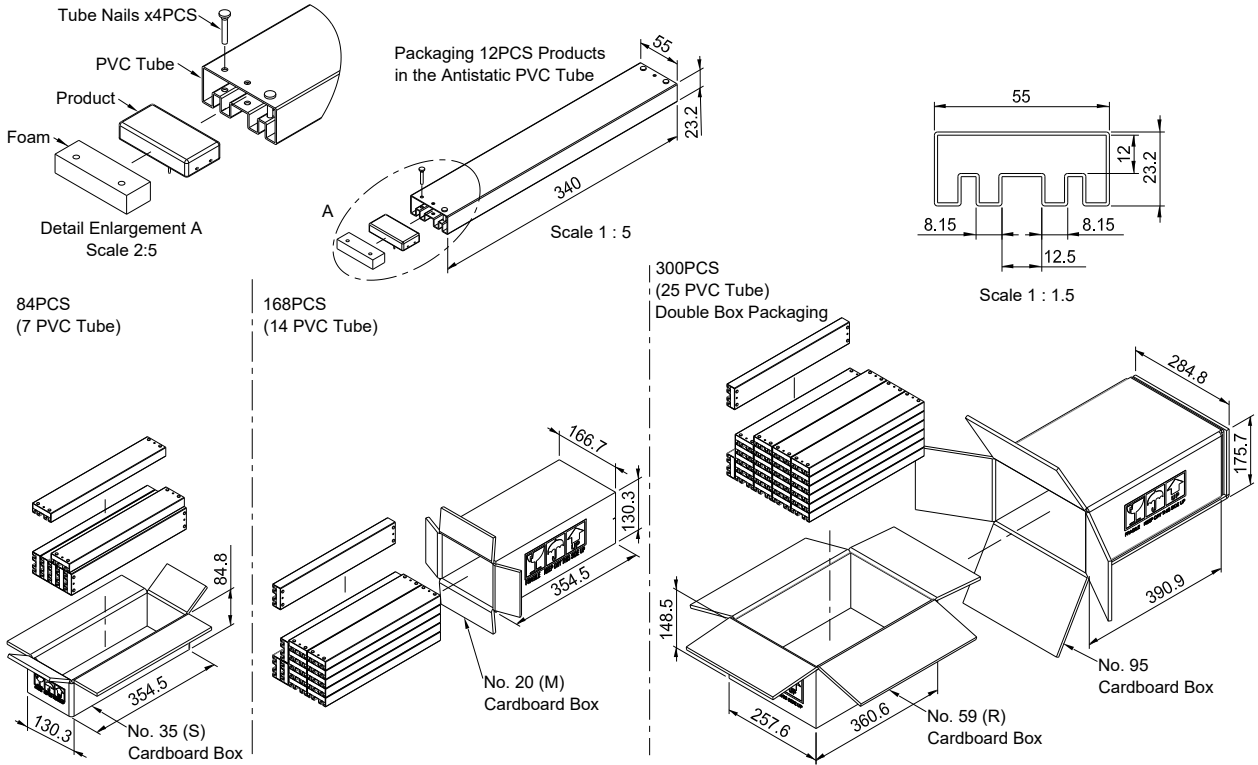
3. Package Full Brick CFB Series



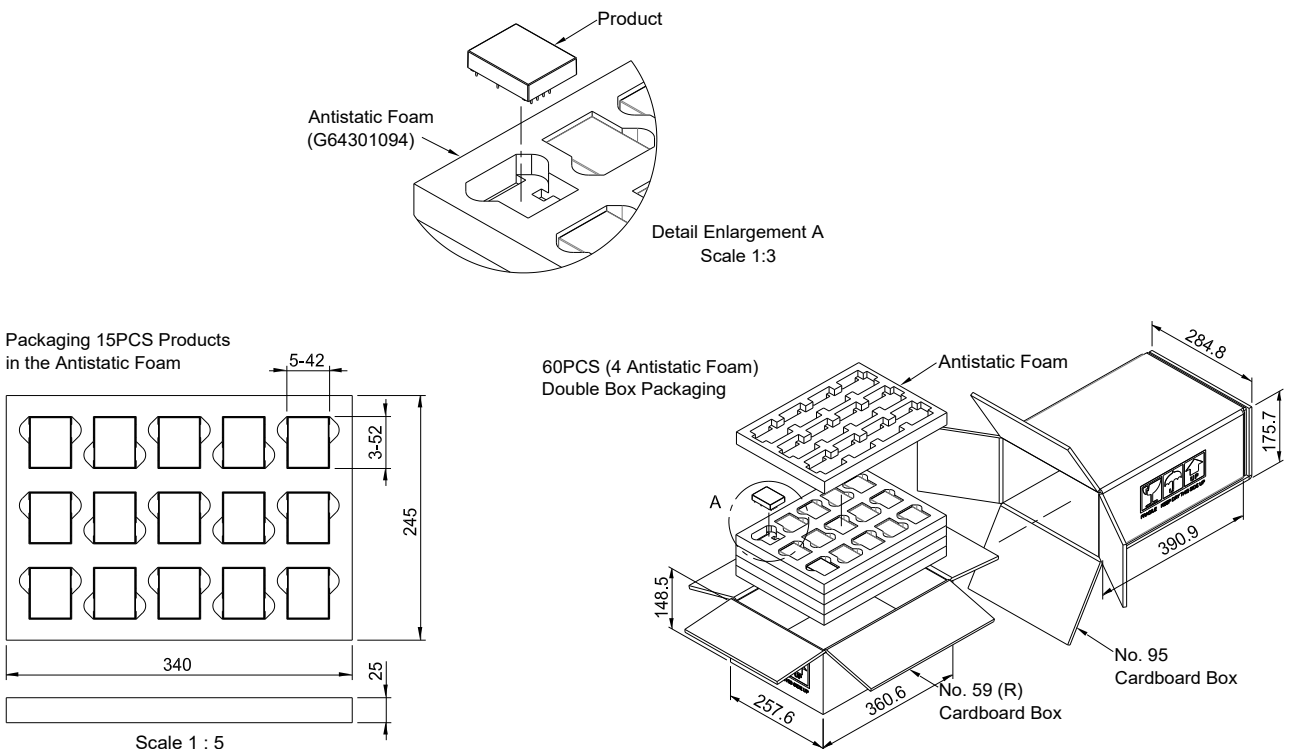


33-800WATTS BRICK DC-DC CONVERTER Packaging Information

4. Package 2"x1" FM10-100



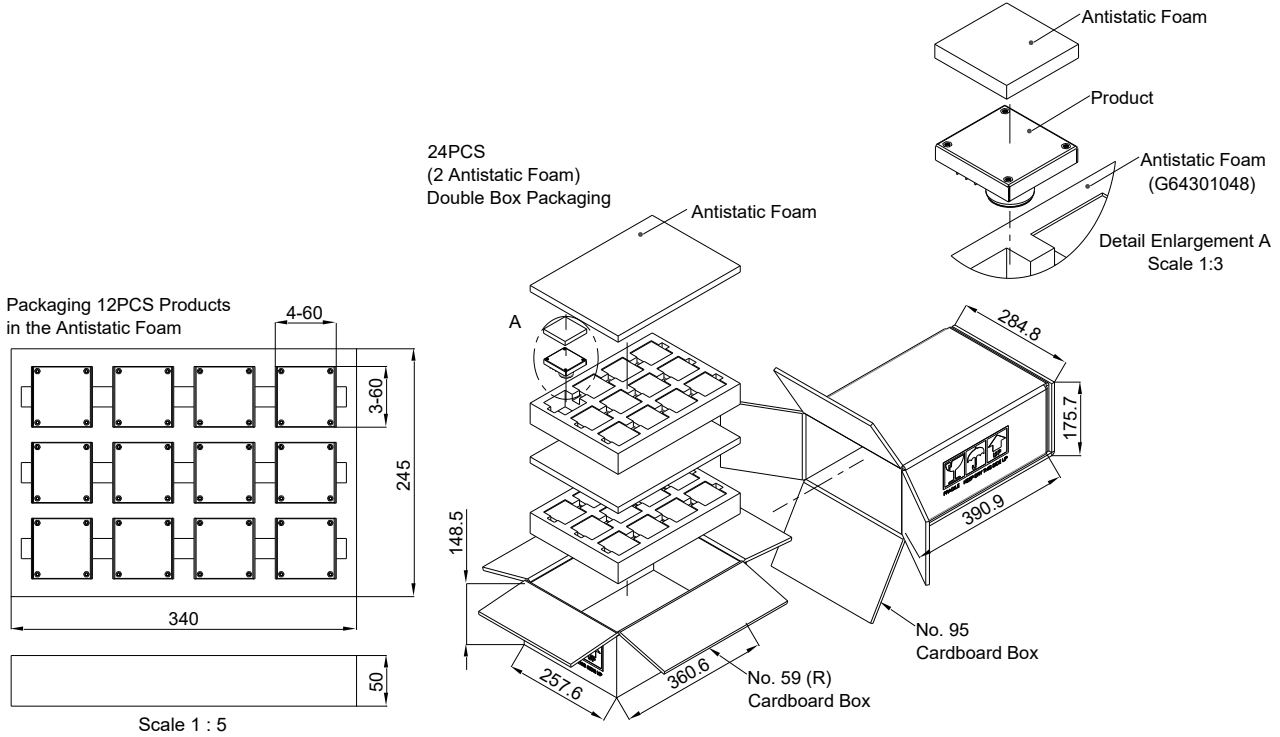
5. Package 2"x1.6" FM20-100





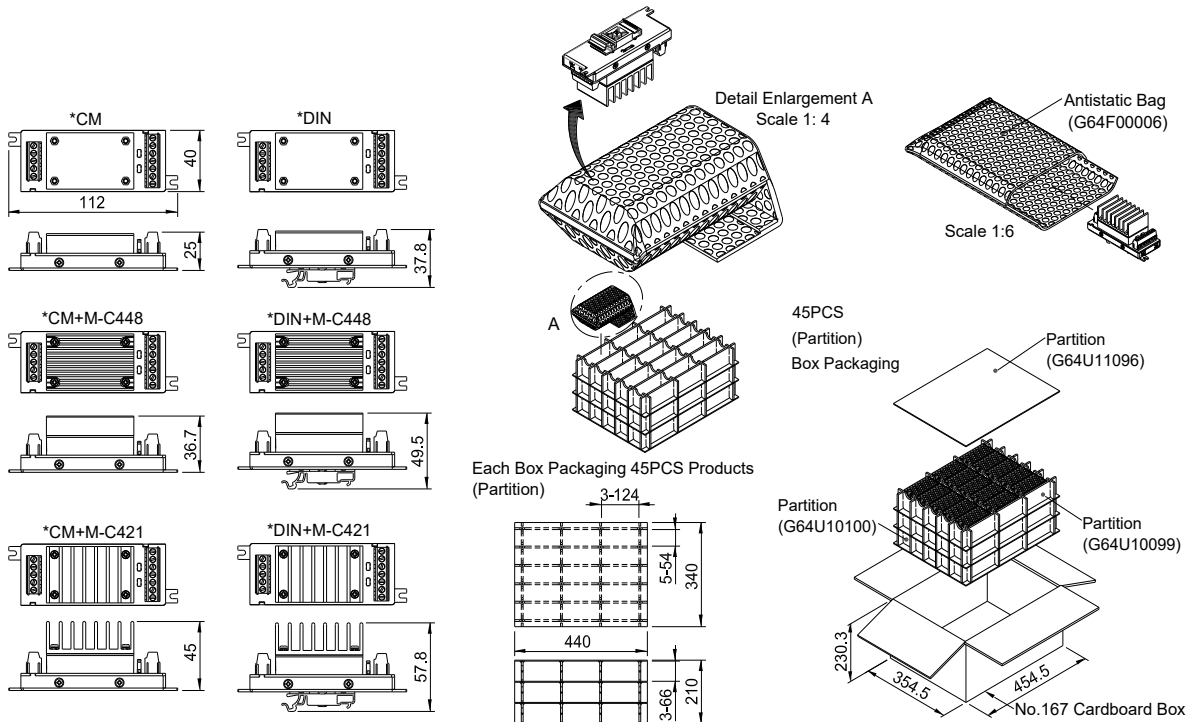
33-800WATTS BRICK DC-DC CONVERTER Packaging Information

6. Package 2.28"x2.40" FM10D200P



7. Package 4.41"x1.57"

CQE50W-CM/DIN, CQB75W-CM/DIN, CQB100W-CM/DIN, CQB100-110S-CM/DIN, CQB150W-CM/DIN, CQB150W-110S-CM/DIN

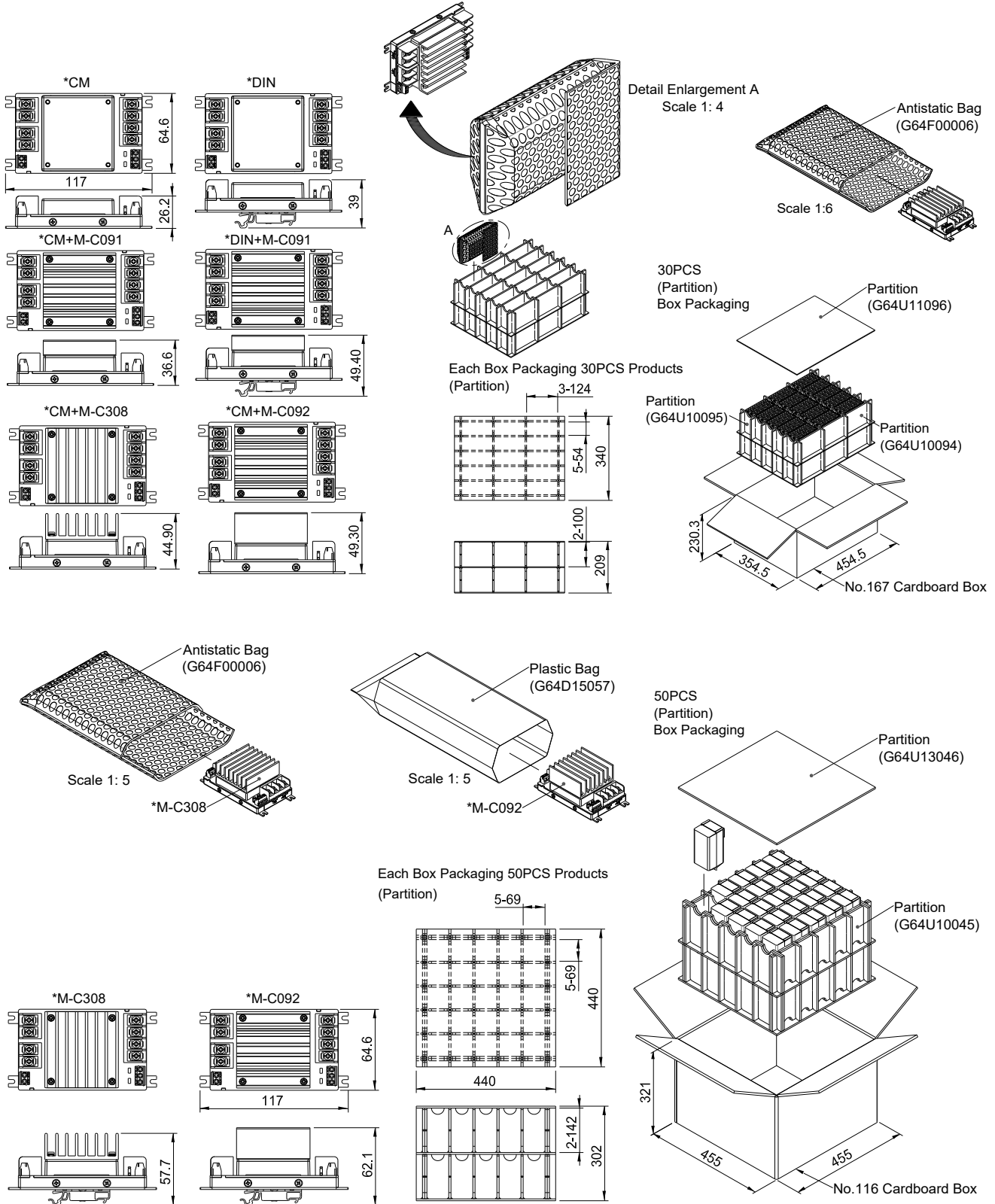




33-800WATTS BRICK DC-DC CONVERTER Packaging Information

8. Package 4.61"x2.54"

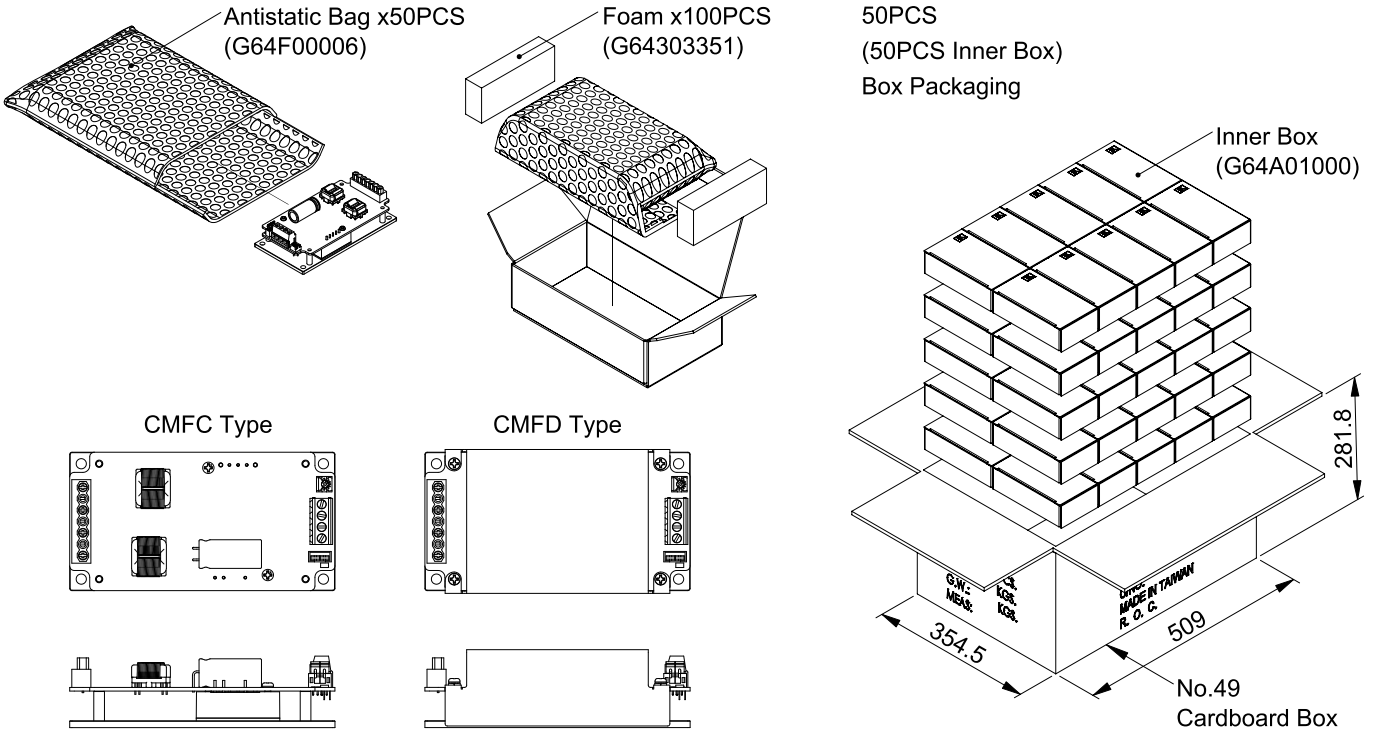
CHB50W-CM/DIN, CHB75W-CM/DIN, CHE75W-CM/DIN, CHB100W-CM/DIN, CHE100W-CM/DIN



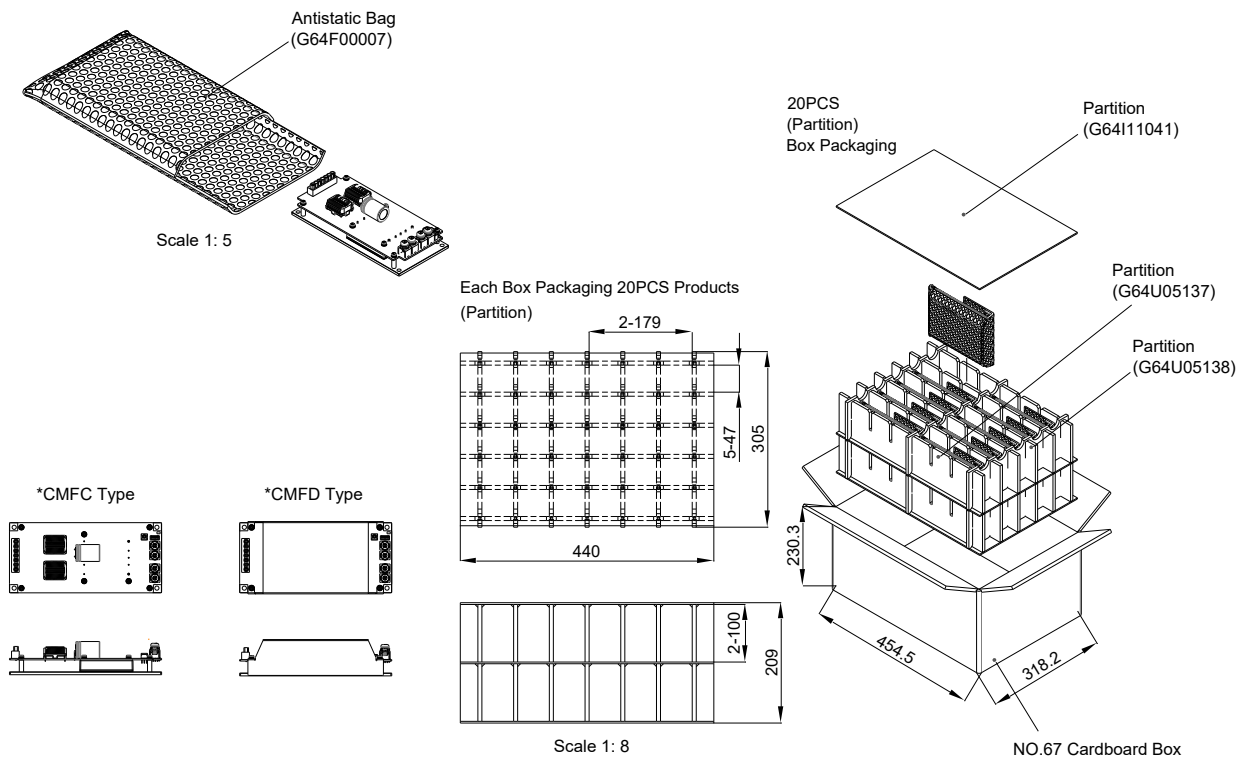


33-800WATTS BRICK DC-DC CONVERTER Packaging Information

9. Package 4.60"x2.40" and 4.60"x2.49" CQB Series



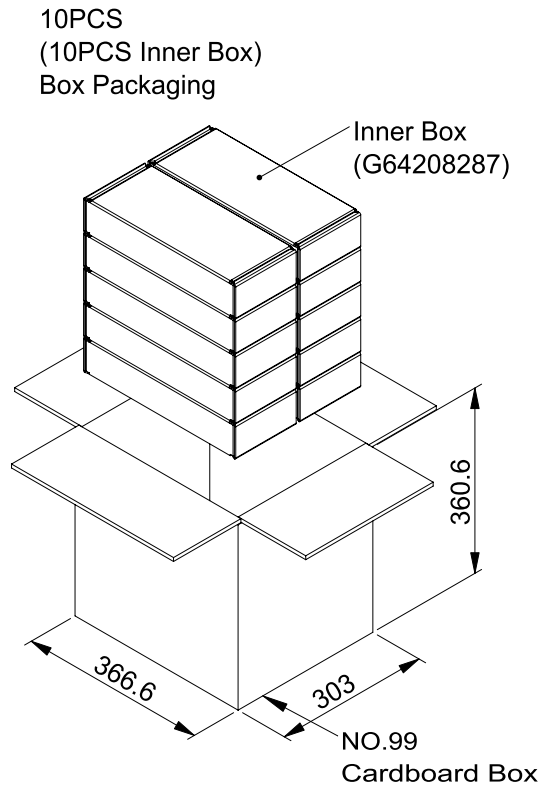
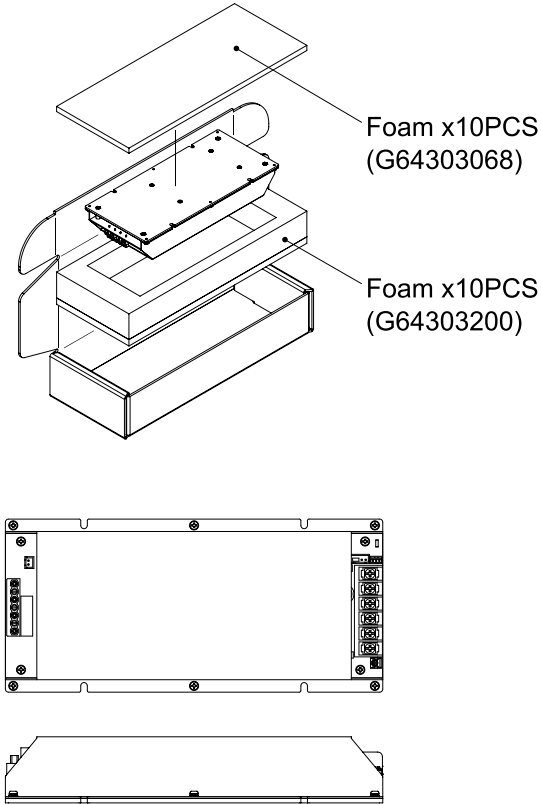
10. Package 6.50"x3.00" and 6.50"x3.09" CHB Series





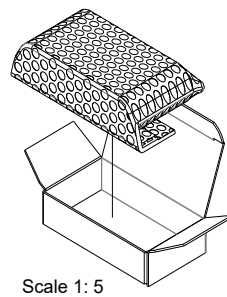
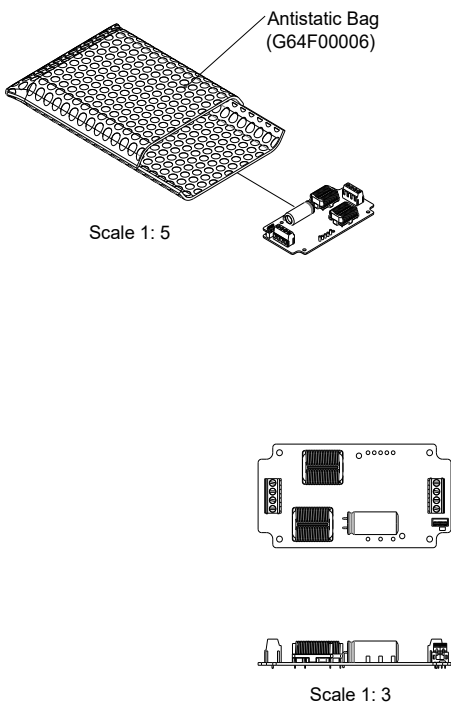
33-800WATTS BRICK DC-DC CONVERTER Packaging Information

11. Package 9.45"x4.33" CFB Series



12. Package 4.60"x2.40"

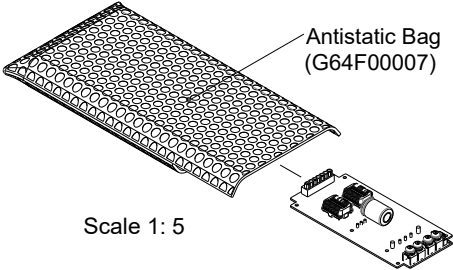
EVB-CQB150(100)W-110S, EVB-CQB150-300S, EVB-CQB75-300S, EVB-CQB75(50)W8-36S, EVB-CQB50W12-72S



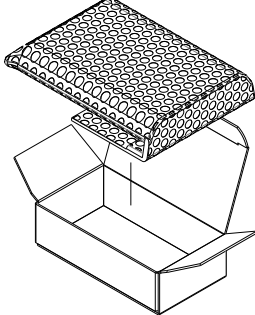


33-800WATTS BRICK DC-DC CONVERTER Packaging Information

13. Package 6.50"x3.00" EVB-CHB300-300S, EVB-CHB300(200)W-110S

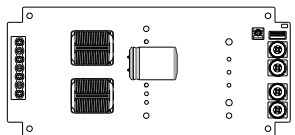
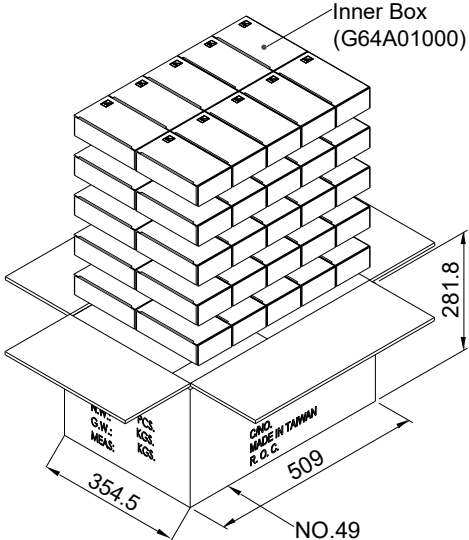


Scale 1: 5

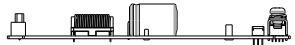


Scale 1: 5

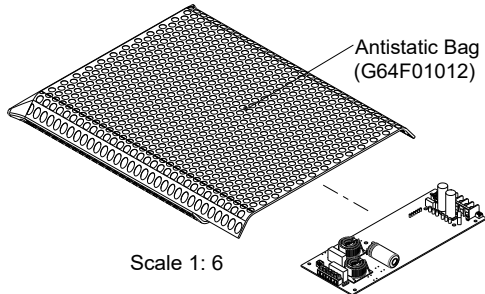
50PCS
(50PCS Inner Box)



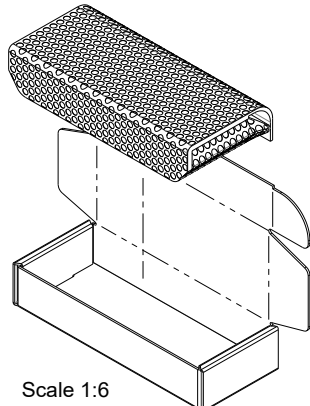
Scale 1: 3



14. Package 9.45"x3.61" EVB-CFB750-300S

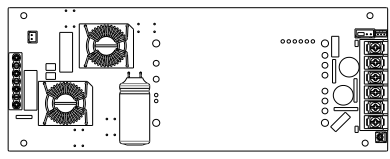
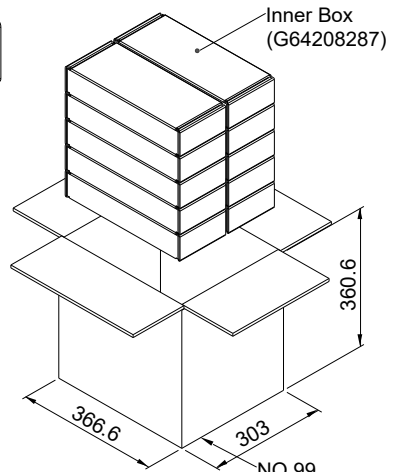


Scale 1: 6



Scale 1:6

10PCS
(10PCS Inner Box)



Scale 1: 3

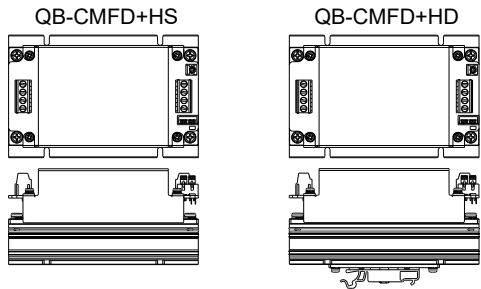
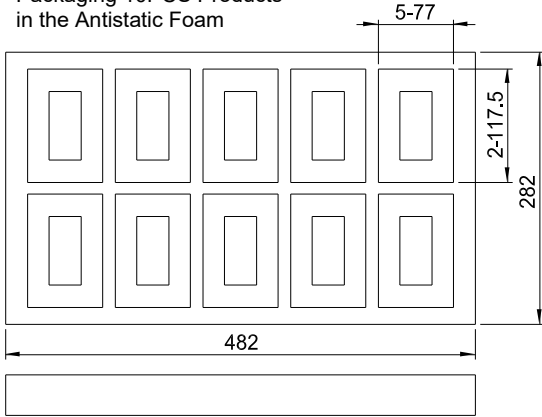




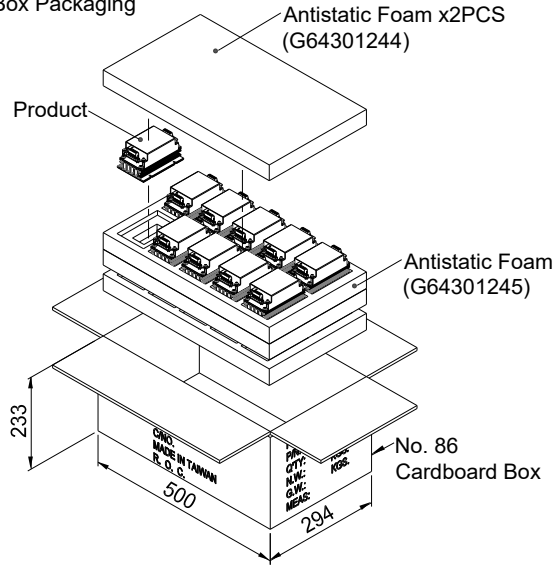
33-800WATTS BRICK DC-DC CONVERTER Packaging Information

15. Package 4.60"x3.00" CQB-CMFD+HS(HD) Series

Packaging 10PCS Products
in the Antistatic Foam

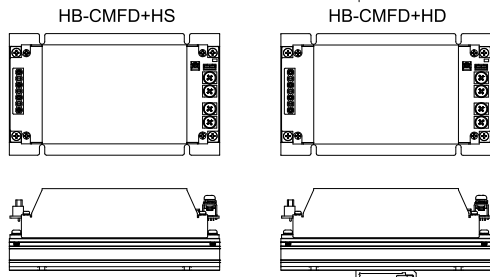
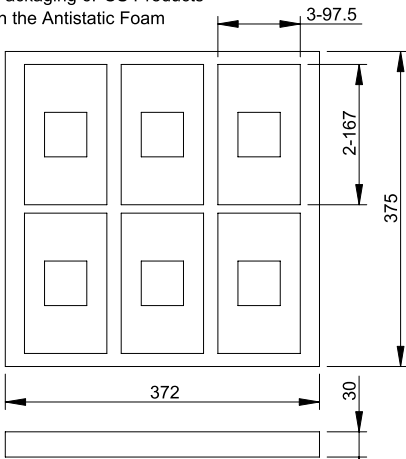


20PCS
(2PCS Antistatic Foam)
Box Packaging

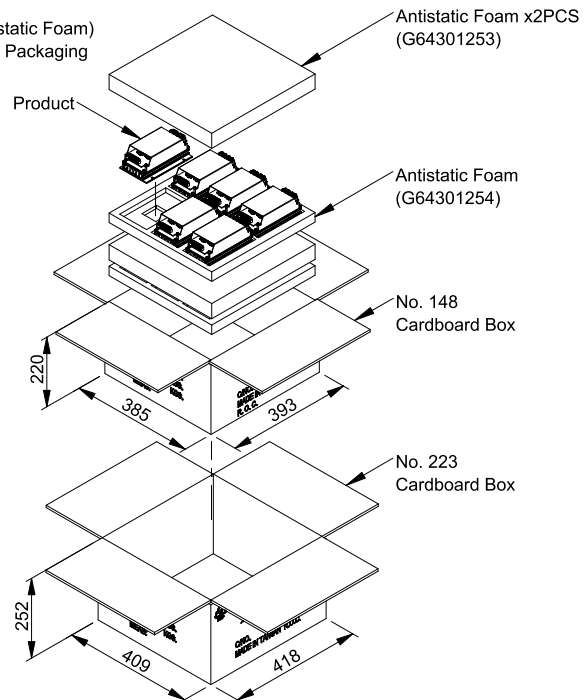


16. Package 6.54"x3.80" CHB-CMFD+HS(HD) Series

Packaging 6PCS Products
in the Antistatic Foam



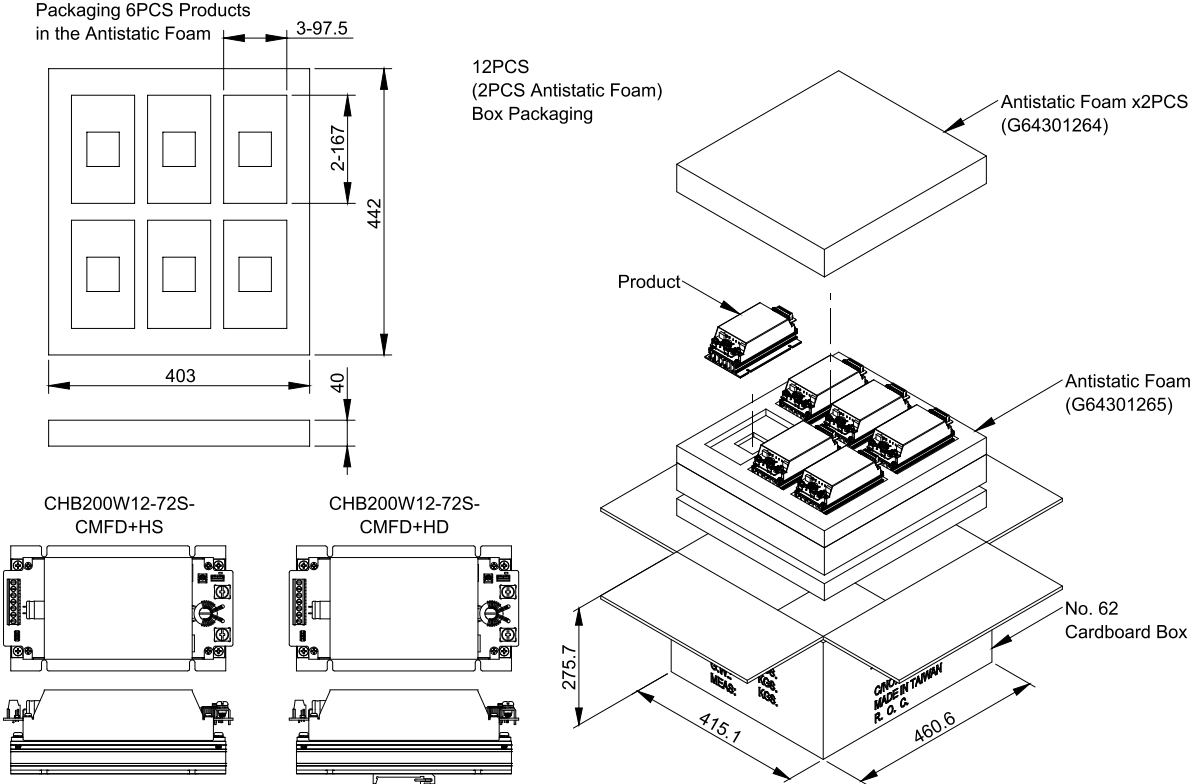
12PCS
(2PCS Antistatic Foam)
Double Box Packaging



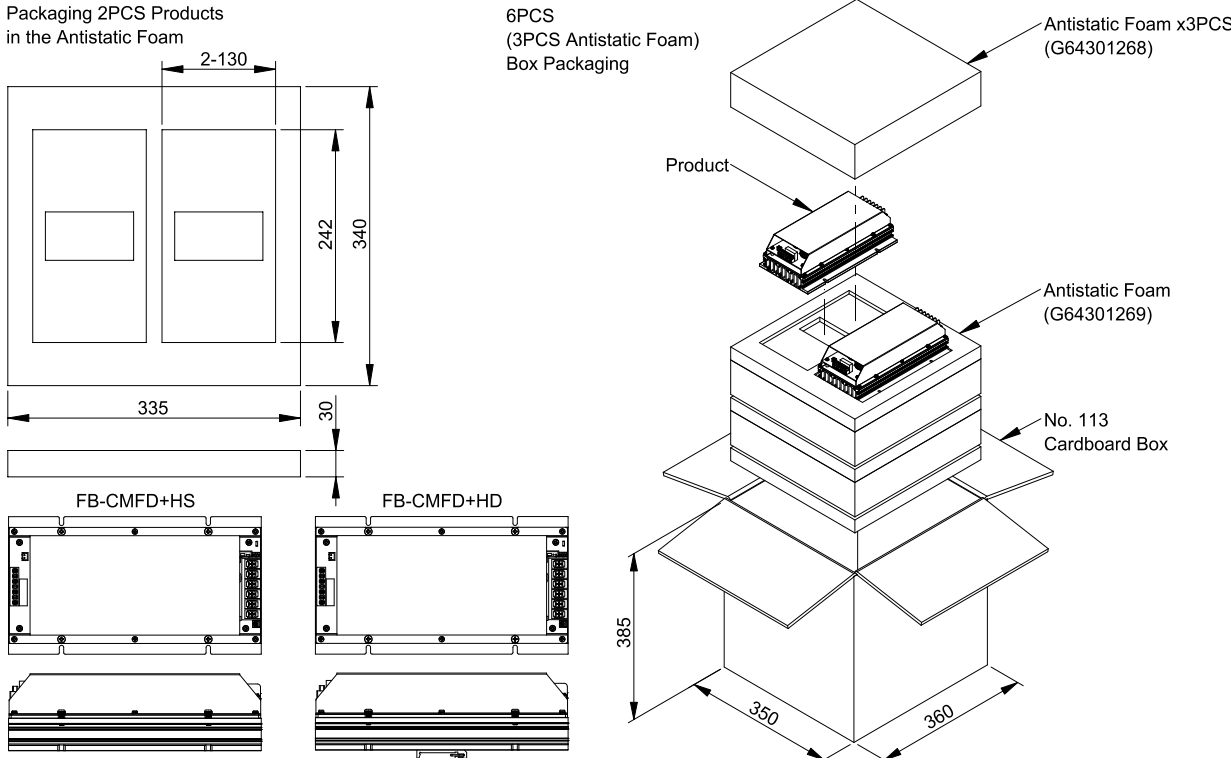


33-800WATTS BRICK DC-DC CONVERTER Packaging Information

17. Package 6.98"x3.80" CHB200W12-CMFD+HS(HD) Series



18. Package 9.49"x5.13" FB-CMFD+HS(HD) Series

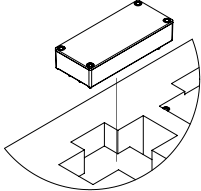




33-800WATTS BRICK DC-DC CONVERTER Packaging Information

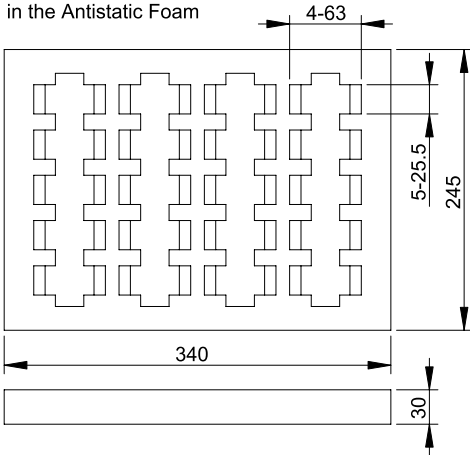
19. Package Eighth Brick

19-1. 2.45"x1.05"x0.50" CEB Series, MF10D075P

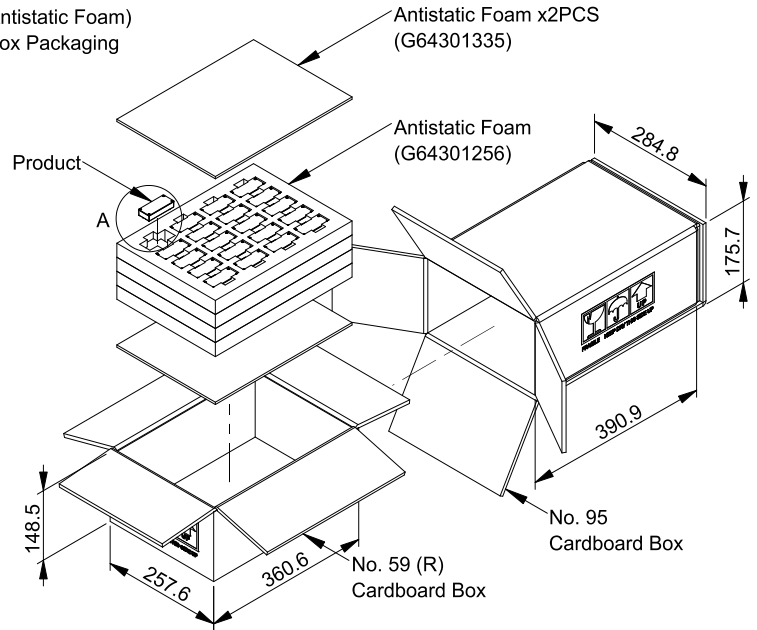


Detail Enlargement A

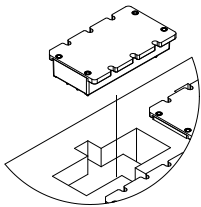
Packaging 20PCS Products
in the Antistatic Foam



80PCS
(4 PCS Antistatic Foam)
Double Box Packaging

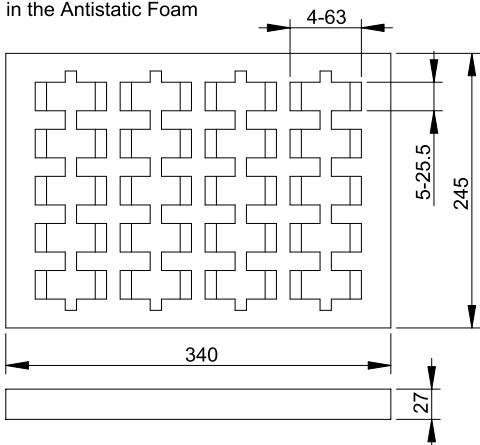


19-2. 2.45"x1.45"x0.50" CEB-F Series

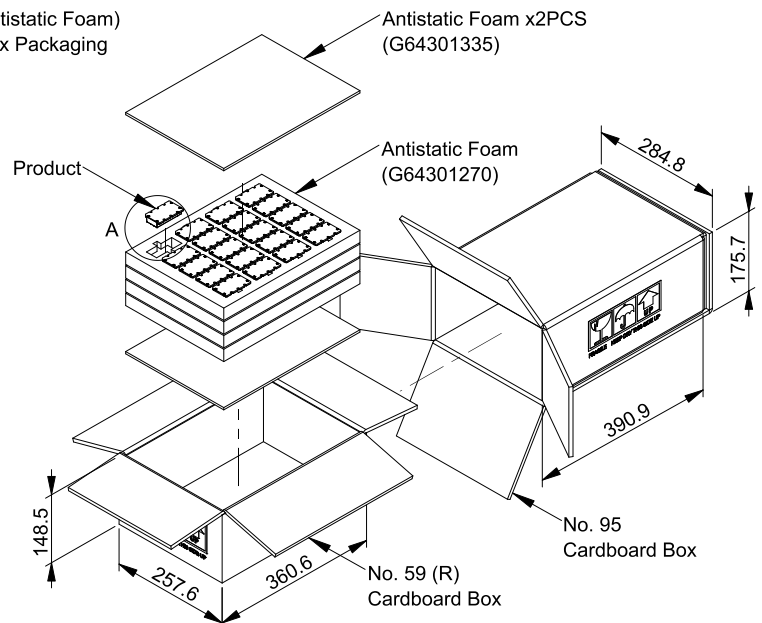


Detail Enlargement A

Packaging 20PCS Products
in the Antistatic Foam



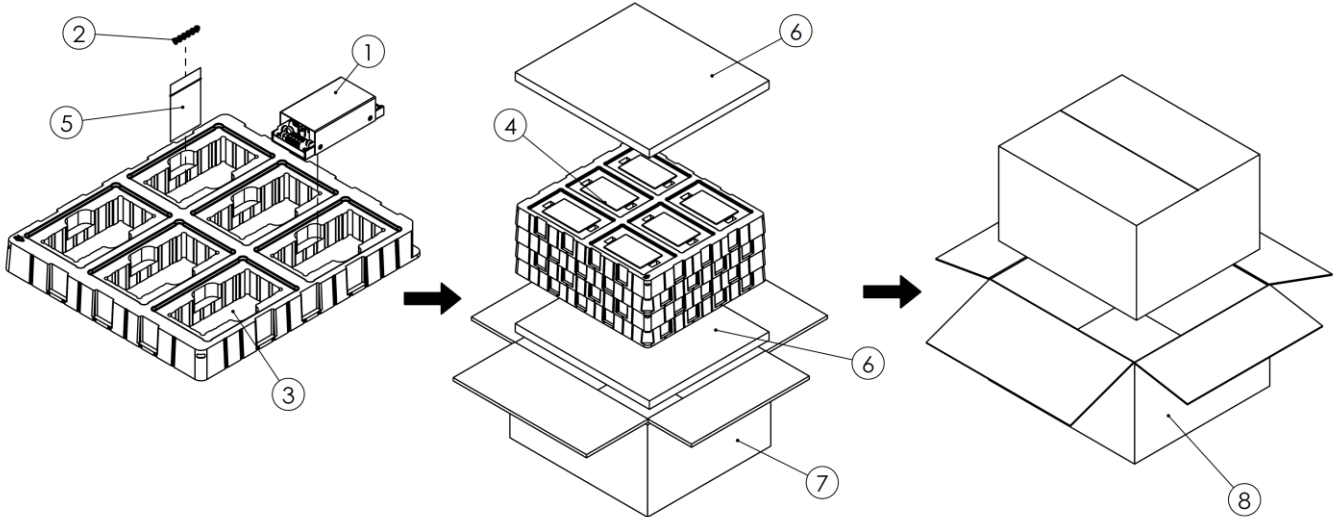
80PCS
(4 PCS Antistatic Foam)
Double Box Packaging





33-800WATTS BRICK DC-DC CONVERTER Packaging Information

20. Package 5.09"x2.28"x1.35" CRT100W12/60W12 Series



ITEM	PART NO.	NAME	OUTSIDE DIM(mm)	PCS
1	-	CRT100W12 Product	129.4x57.9x34.2	24
2	G75V2200000	Screw	M3.5x0.6	24
3	G64G20XXX	Antistatic Plastic blister	368.4x328.4x41.4	4
4	G64G20XXX	Antistatic Plastic blister	370x330x42.2	4
5	GT4101	Zipper Bag	70x50x0.04	4
6	G64301188	Antistatic Foma	370x330x20	2
7	G64114396	No.205 Inner Cardboard Box	380x340x220	1
8	G64114291	No.112 Cardboard Box	403x373x240	1

Each Box Packaging 24 PCS Products
Gross weight Ref. 10.5 Kg