



LOW POWER 1-75W DC-DC CONVERTER Packaging Information

Contents

1. Package SIP 4	3
1-1. 0.46x0.24x0.40 Inch (EC1TA0XN/1XN)	3
1-2. 0.46x0.30x0.40 Inch (EC1TA2XN)	3
2. Package SIP7	4
2-1. 0.77x0.24x0.40 Inch (EC1SA0XN/1XN)	4
2-2. 0.77x0.28x0.40 Inch (EC1SA2XN/2SAN/2SANH).....	4
3. Package SIP8	5
3-1. 0.86x0.36x0.44 (EC2SA3SA3SAW/4SAW/2SAW8/3SAW8/4SAW8) & 0.87x0.37x0.47 Inch (EC5SAW)	5
4. Package DIP16	5
4-1. 0.95x0.54x0.39 Inch (EC5DAW/4DAW)	5
5. Package DIP24	6
5-1. 1.25x0.80x0.40 Inch.....	6
(EC2A/3A/3AE/3A-E/3AW/4A/4A-E/4AW/EC4AW-H6/5A/6A/6AW/7A/8AW/7AW/3AW8/4AW8).....	6
5-2. 1.25x0.80x0.50 Inch (EC3AB/4AB/6AW-110/7AW18)	6
6. Package 1"x1" (EC2SB/2SBW/3SB/3SBW/4SBW/5SBW/2SBW-H).....	7
7. Package 2"x1"	7
(EC3B/3BB/4BE/4BW/4BU/5BE/5BW/5BU/7B/7BW/EC7BW-110/9BW/7BW18)	7
8. Package 2.05"x1.2" (ECLB40W/40W-110/60/60W/75W/ECB40W18)	8
9. Package 2"x1.6" (EC1SC/3SCW)	8
10. Package 2"x2" (EC3C/3CB/5C/6C/7C)	9
11. Package 2.56"x3" (EC6E)	9
12. Package SMD	10
12-1. 0.54x0.36x0.29 Inch (EC1SA0XNS/1XNS Single)	10
12-2. 0.64x0.36x0.29 Inch (EC1SA0XNS/1XNS Dual)	10
12-3. 1.00x1.00x0.36 Inch (EC2SBXX-XXS/EC3SBXX-XXS).....	11
13. Package SMD24	11
13-1. 1.25x0.80x0.45 (EC2A/3A/3AE//3AW/4A//4AW/5A/6A/6AW/7AXX(MS/HMS)	11
1.25x0.80x0.41 Inch (EC3A-E/EC4A-E(S/HS/MS/HMS)	11
13-2. 1.25x0.80x0.55 Inch (EC3AB/4ABXX(MS/HMS).....	12

CINCON Electronics Co. Ltd.
Add: 14F, No. 306, Sec.4, Hsin Yi Rd., Taipei, Taiwan
Tel: 886-2-27086210
Fax: 886-2-27029852
E-mail: sales@cincon.com
Web: www.cincon.com



LOW POWER 1-75W
DC-DC CONVERTER
Packaging Information

14. Package Enclosed Chassis Mount/DIN Rail 13

 14-1. 4.45x2.33x0.85 & 4.45x2.33x1.43 Inch (EC7BW18-72 ECRT/EDRT) 13

 14-2. 4.00x2.14x0.80 & 4.00x2.14x1.38 Inch (EC7AW18-72 ECRT/EDRT) 13

 14-3. 5.63x2.56x0.87 & 5.63x2.56x1.54 Inch (ECB40W18 ECRT/EDRT) 14

 14-4. 5.63x2.56x1.42 & 5.63x2.56x2.05 Inch (ECB40W18 ECRT/EDRT+FBL127) 14

15. Package Chassis Mount/DIN Rail 15

 15-1. 3.04x1.48x1.20 (EC5SBW CMF) & 3.04x1.48x1.71 Inch (EC5SBW DMF) 15

16. Package SIP3 15

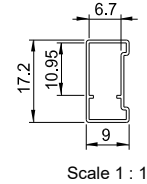
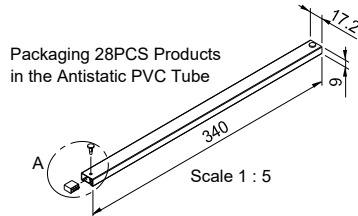
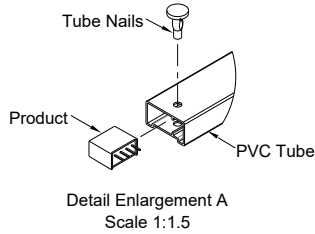
 16-1. 0.48x0.34x0.69 Inch (NCS01W8) 15



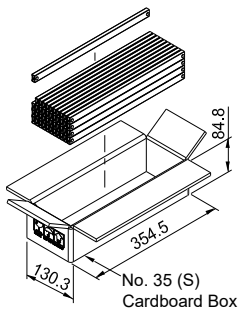
LOW POWER 1-75W DC-DC CONVERTER Packaging Information

1. Package SIP 4

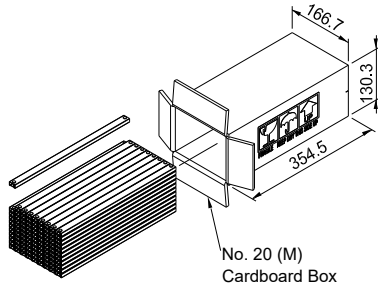
1-1. 0.46x0.24x0.40 Inch (EC1TA0XN/1XN)



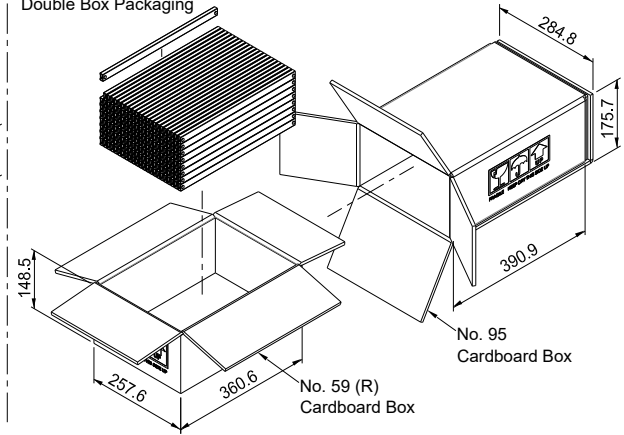
1232PCS
(44 PVC Tube)



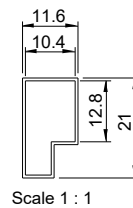
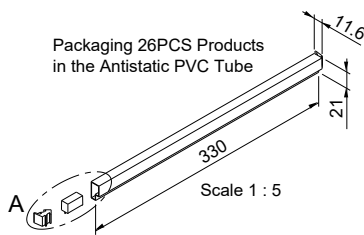
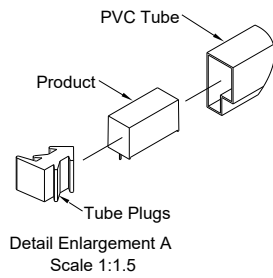
2772PCS
(99 PVC Tube)



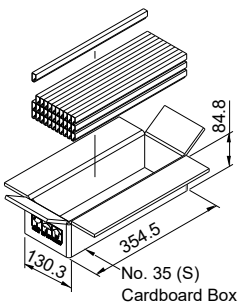
5152PCS
(184 PVC Tube)
Double Box Packaging



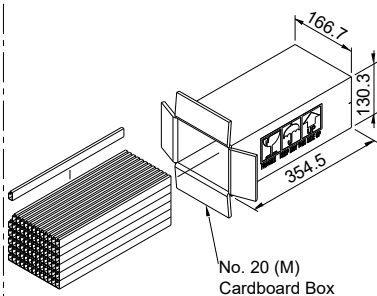
1-2. 0.46x0.30x0.40 Inch (EC1TA2XN)



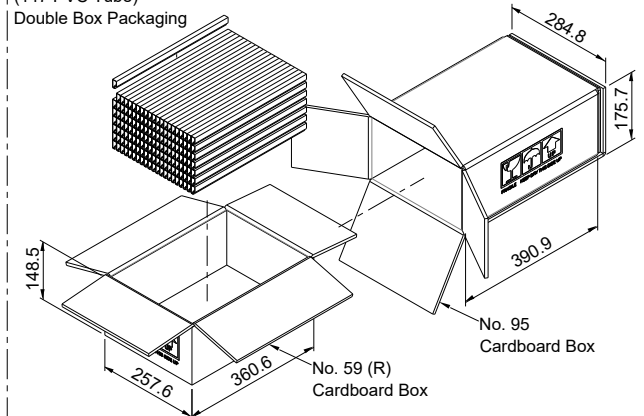
858PCS
(33 PVC Tube)



2028PCS
(78 PVC Tube)



3822PCS
(147 PVC Tube)
Double Box Packaging

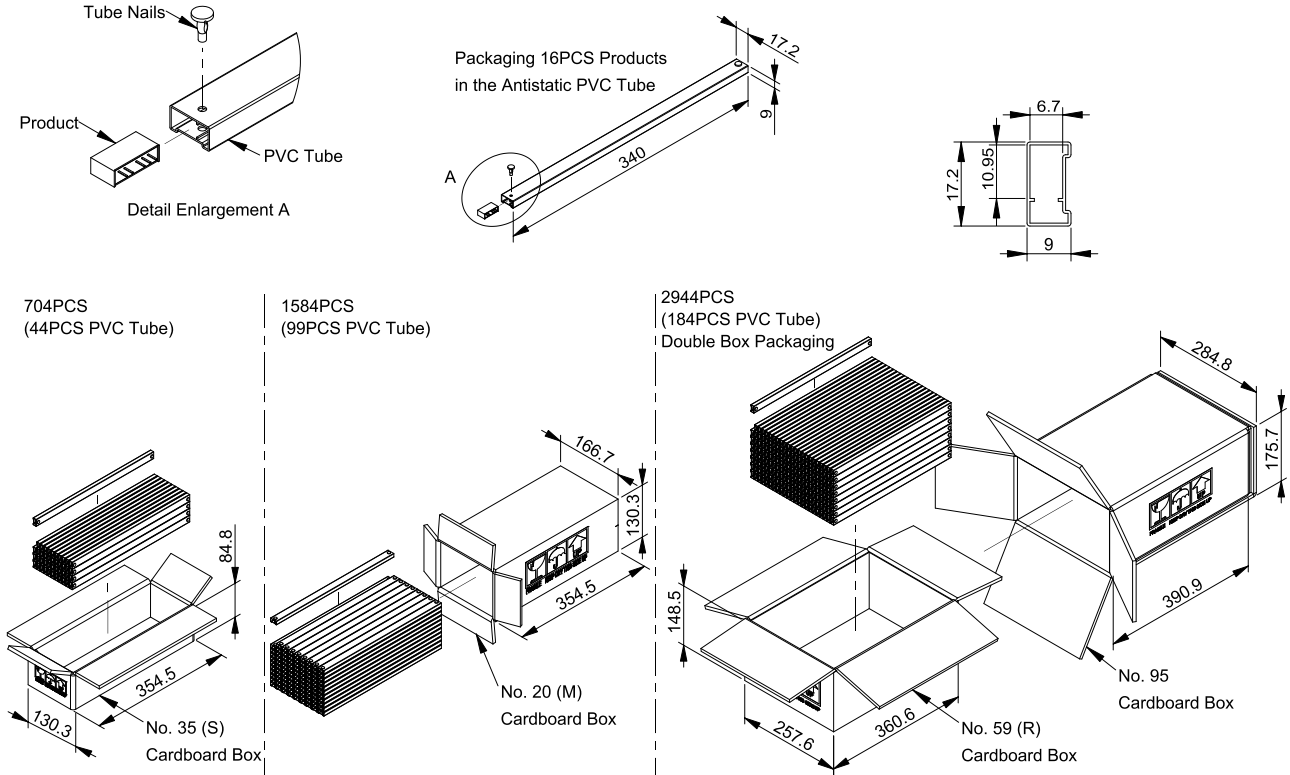




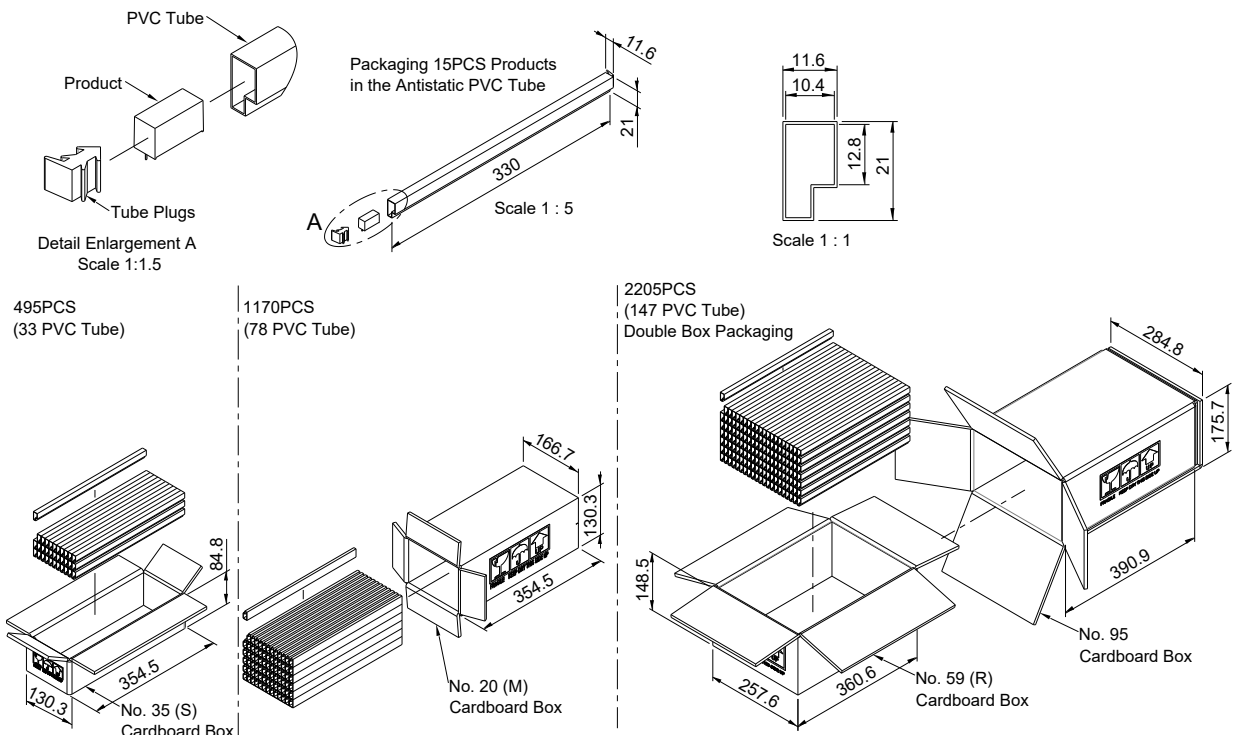
LOW POWER 1-75W DC-DC CONVERTER Packaging Information

2. Package SIP7

2-1. 0.77x0.24x0.40 Inch (EC1SA0XN/1XN)



2-2. 0.77x0.28x0.40 Inch (EC1SA2XN/2SAN/2SANH)

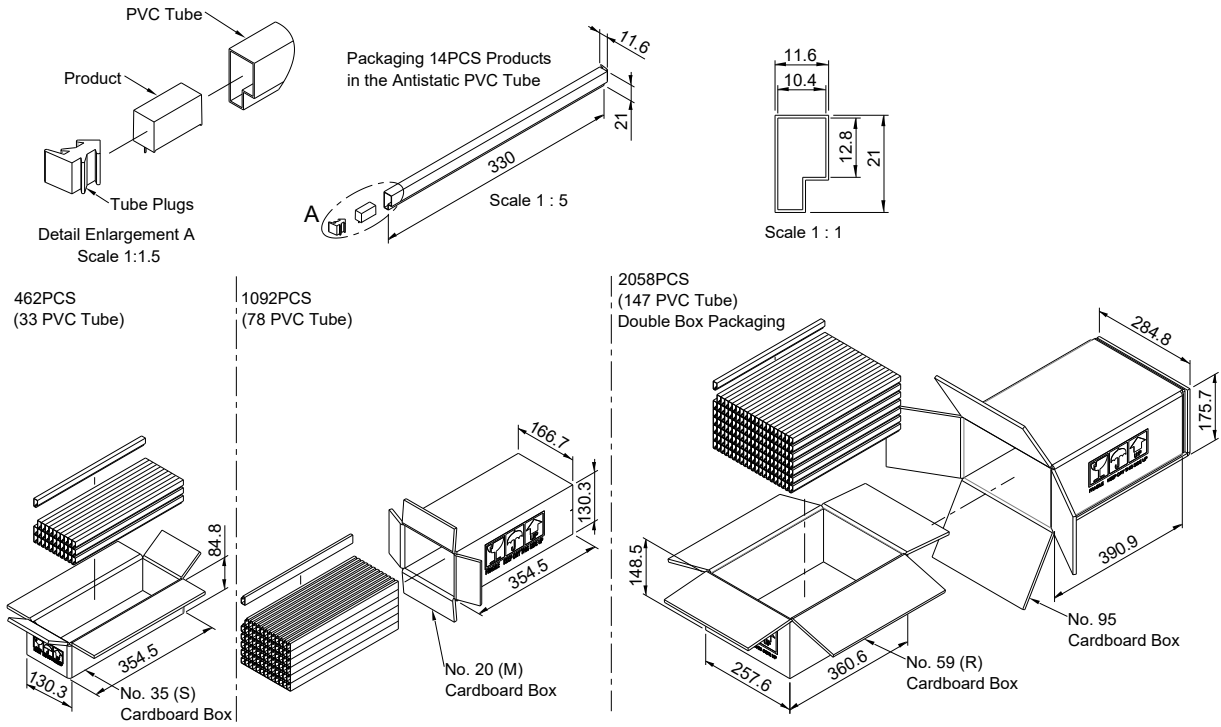




LOW POWER 1-75W DC-DC CONVERTER Packaging Information

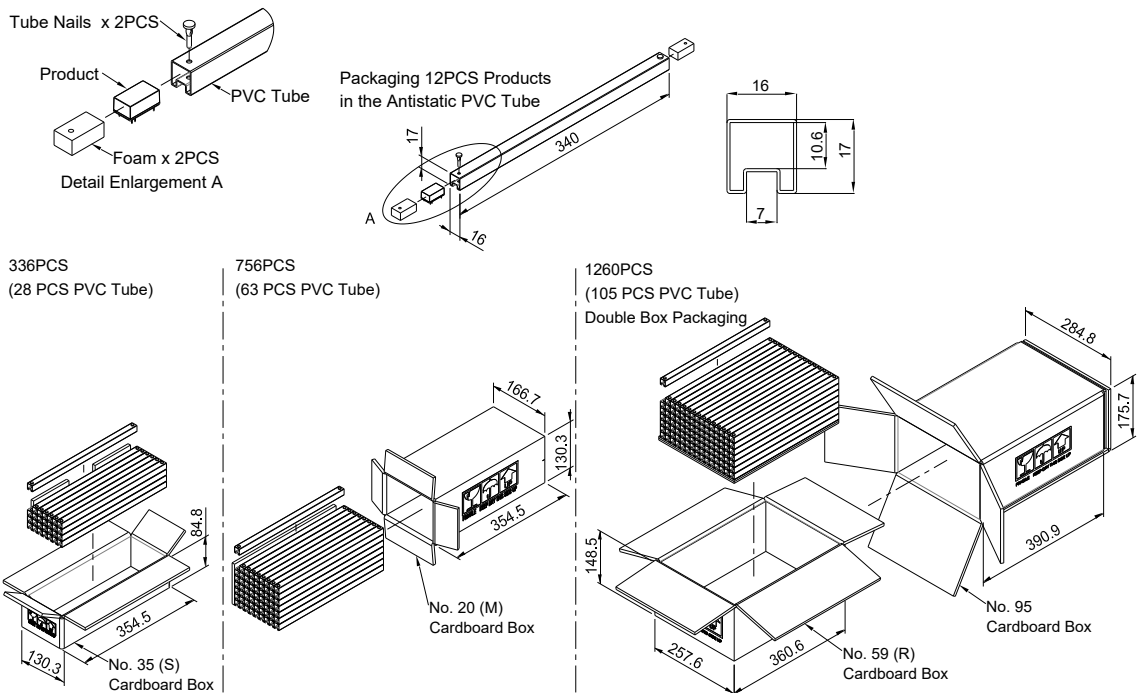
3. Package SIP8

3-1. 0.86x0.36x0.44 (EC2SA/3SA/3SAW/4SAW/2SAW8/3SAW8/4SAW8) & 0.87x0.37x0.47 Inch (EC5SAW)



4. Package DIP16

4-1. 0.95x0.54x0.39 Inch (EC5DAW/4DAW)



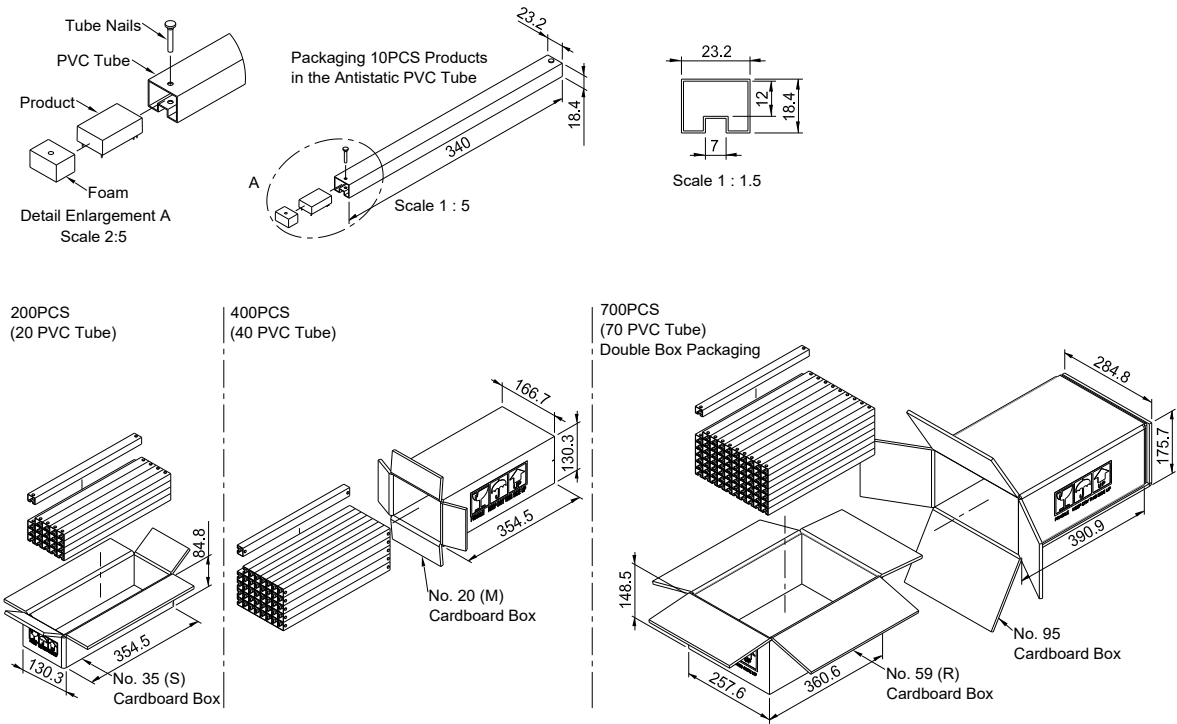


LOW POWER 1-75W DC-DC CONVERTER Packaging Information

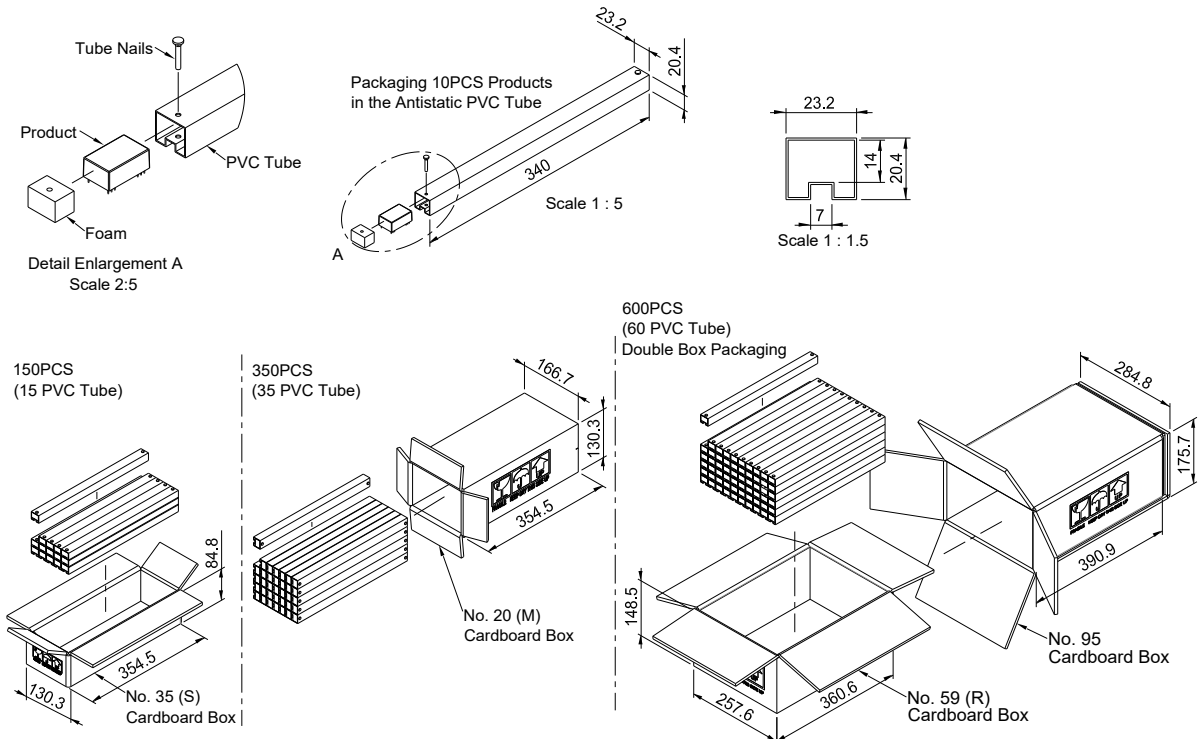
5. Package DIP24

5-1. 1.25x0.80x0.40 Inch

(EC2A/3A/3AE/3A-E/3AW/4A/4A-E/4AWEC4AW-H6/5A/6A/6AW/7A/8AW/7AW/3AW8/4AW8)



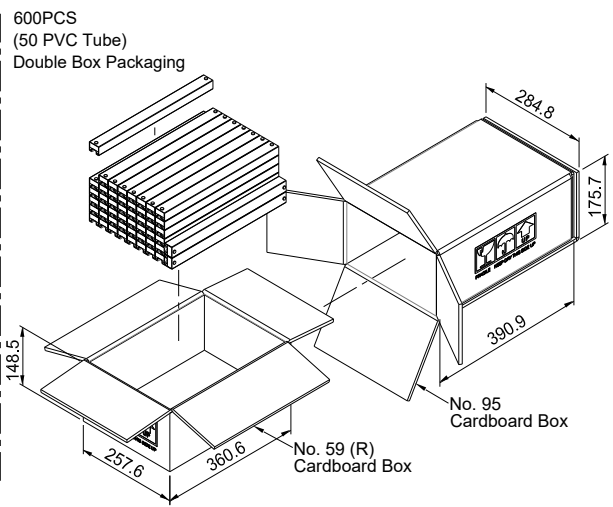
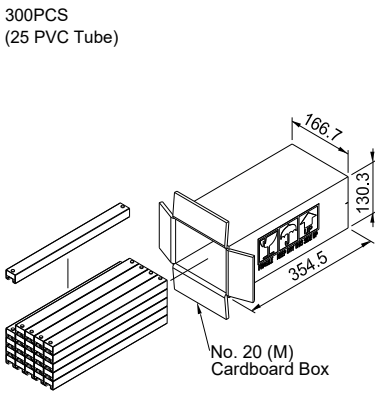
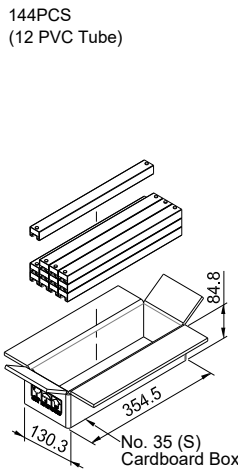
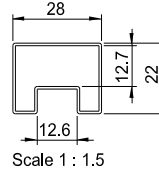
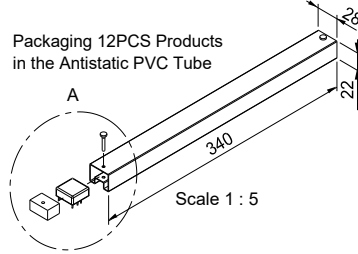
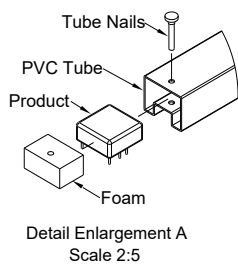
5-2. 1.25x0.80x0.50 Inch (EC3AB/4AB/6AW-110/7AW18)





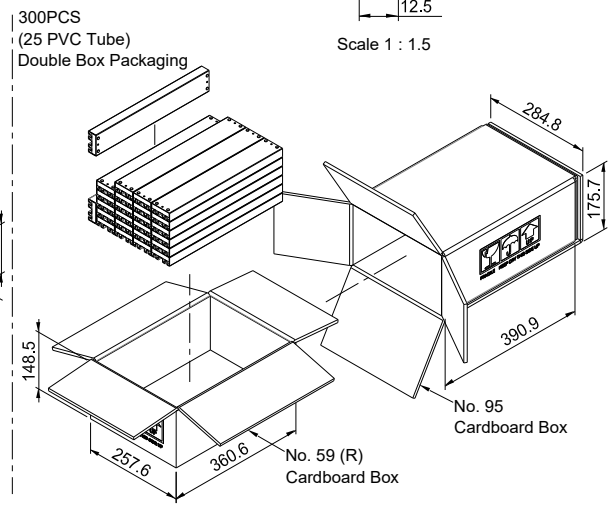
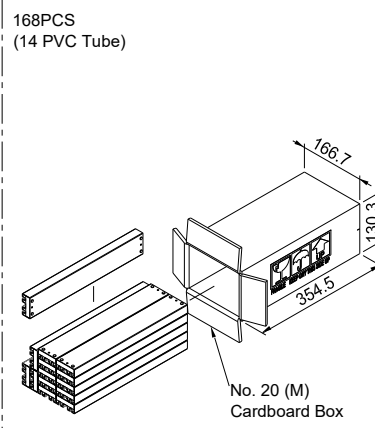
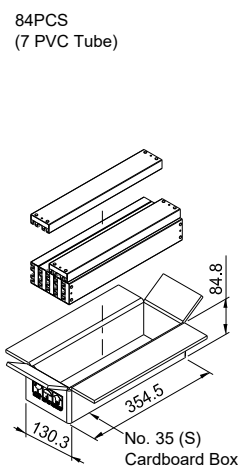
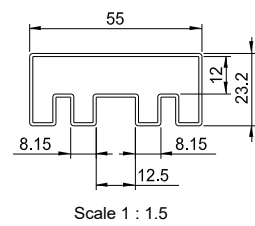
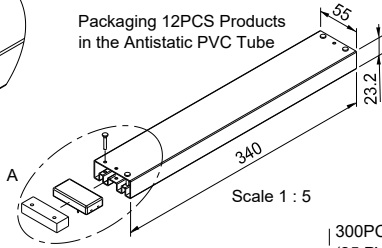
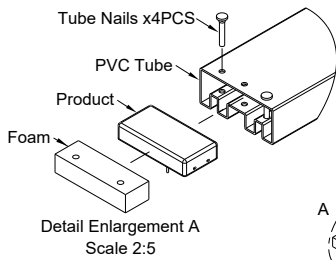
LOW POWER 1-75W DC-DC CONVERTER Packaging Information

6. Package 1"x1" (EC2SB/2SBW/3SB/3SBW/4SBW/5SBW/2SBW-H)



7. Package 2"x1"

(EC3B/3BB/4BE/4BW/4BU/5BE/5BW/5BU/7B/7BWE/7BW-110/9BW/7BW18)

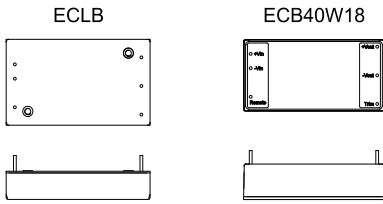
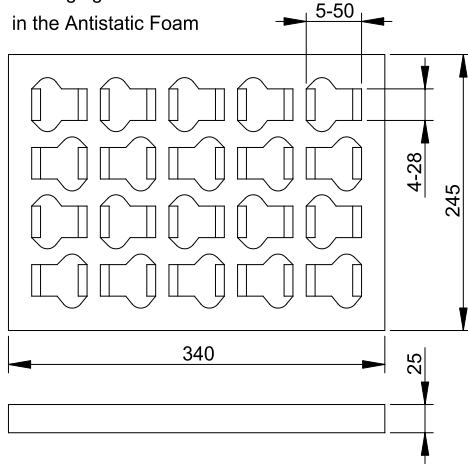




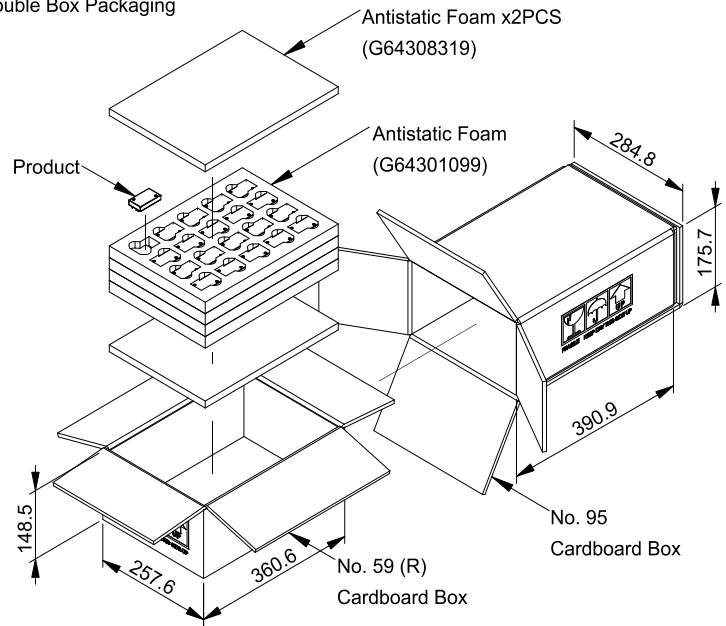
LOW POWER 1-75W DC-DC CONVERTER Packaging Information

8. Package 2.05"x1.2" (ECLB40W/40W-110/60/60W/75W/ECB40W18)

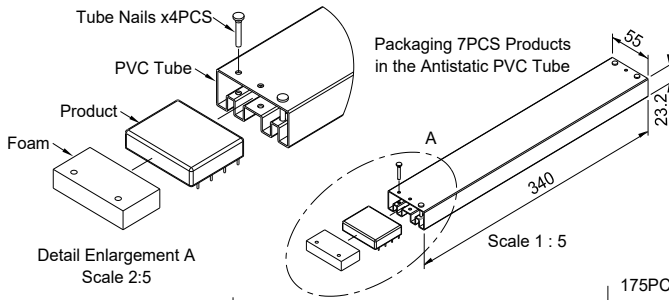
Packaging 20PCS Products in the Antistatic Foam



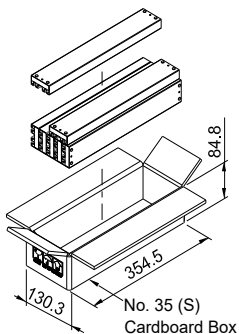
80PCS
(4PCS Antistatic Foam)
Double Box Packaging



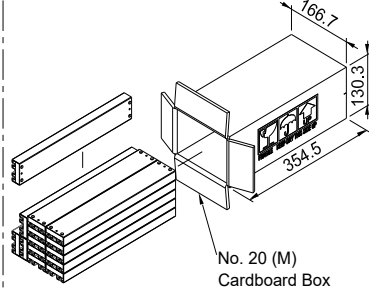
9. Package 2"x1.6" (EC1SC/3SCW)



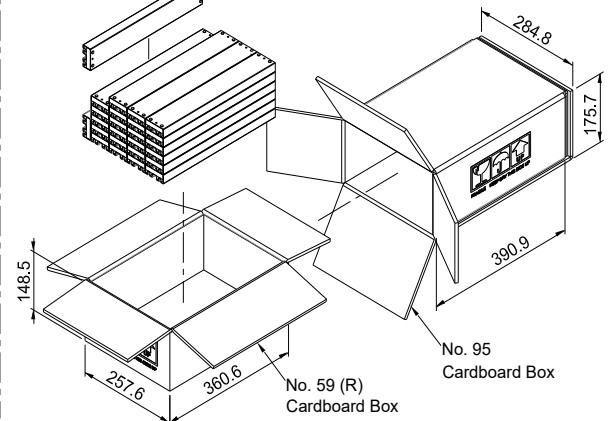
49PCS
(7 PVC Tube)



98PCS
(14 PVC Tube)



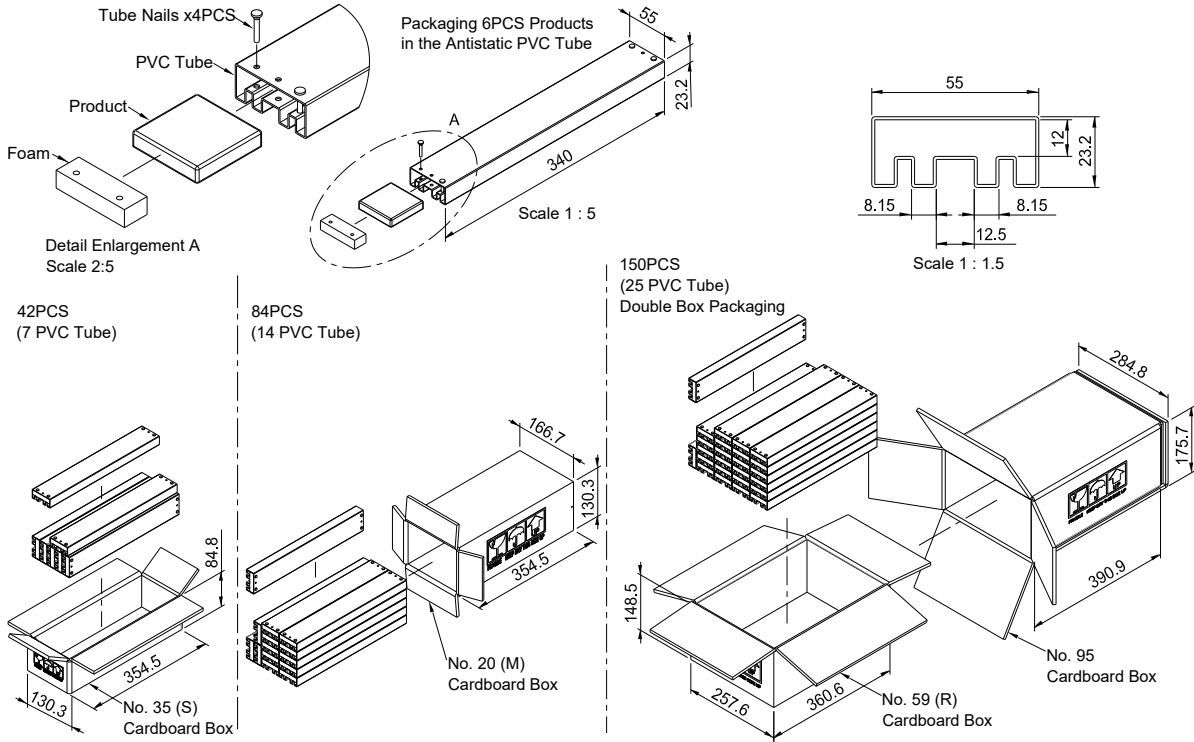
175PCS
(25 PVC Tube)
Double Box Packaging



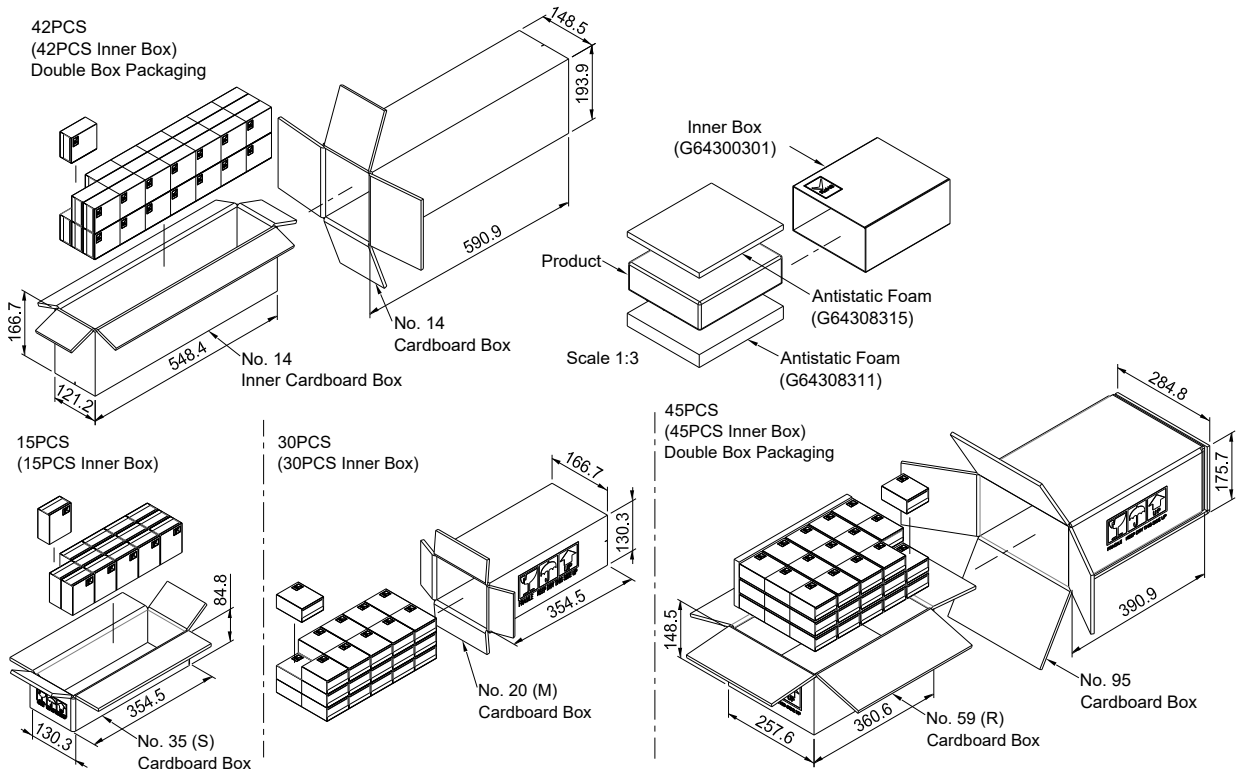


LOW POWER 1-75W DC-DC CONVERTER Packaging Information

10. Package 2"x2" (EC3C/3CB/5C/6C/7C)



11. Package 2.56"x3" (EC6E)

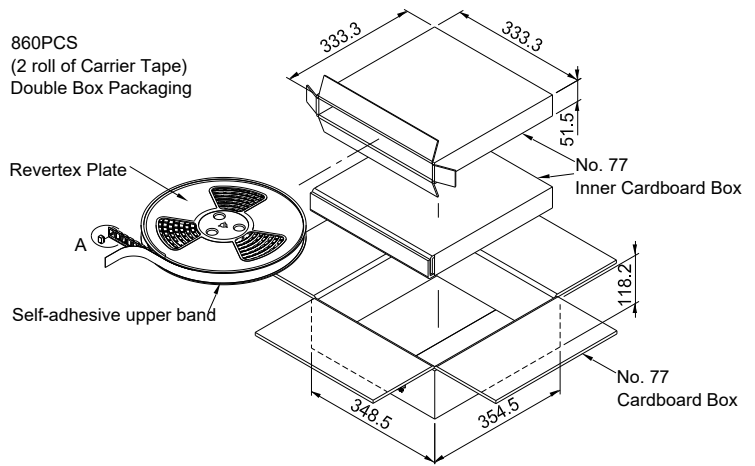
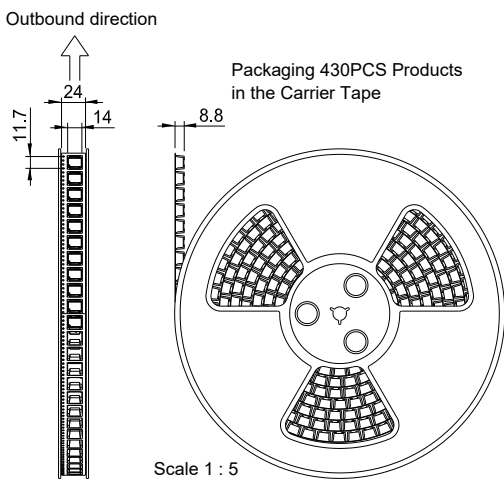
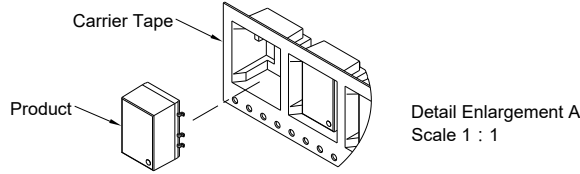




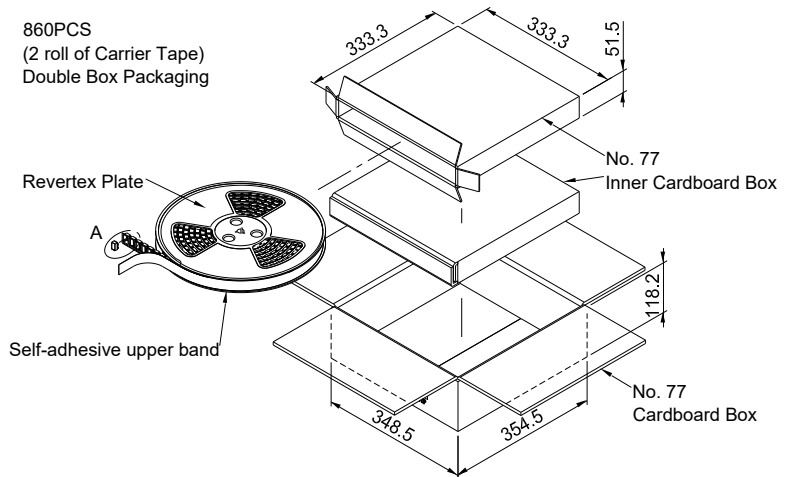
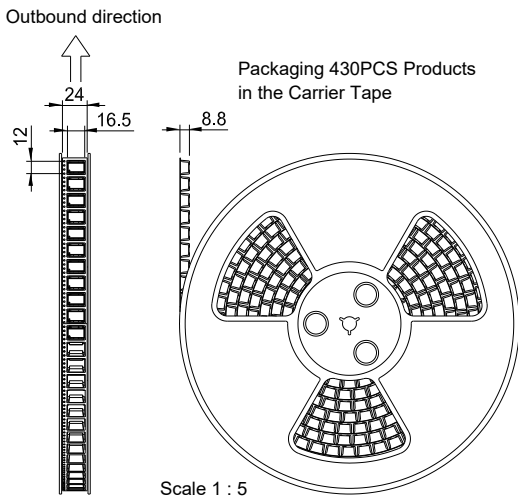
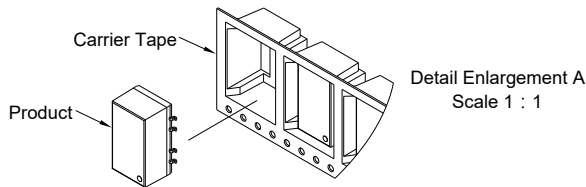
LOW POWER 1-75W
DC-DC CONVERTER
Packaging Information

12. Package SMD

12-1. 0.54x0.36x0.29 Inch (EC1SA0XNS/1XNS Single)



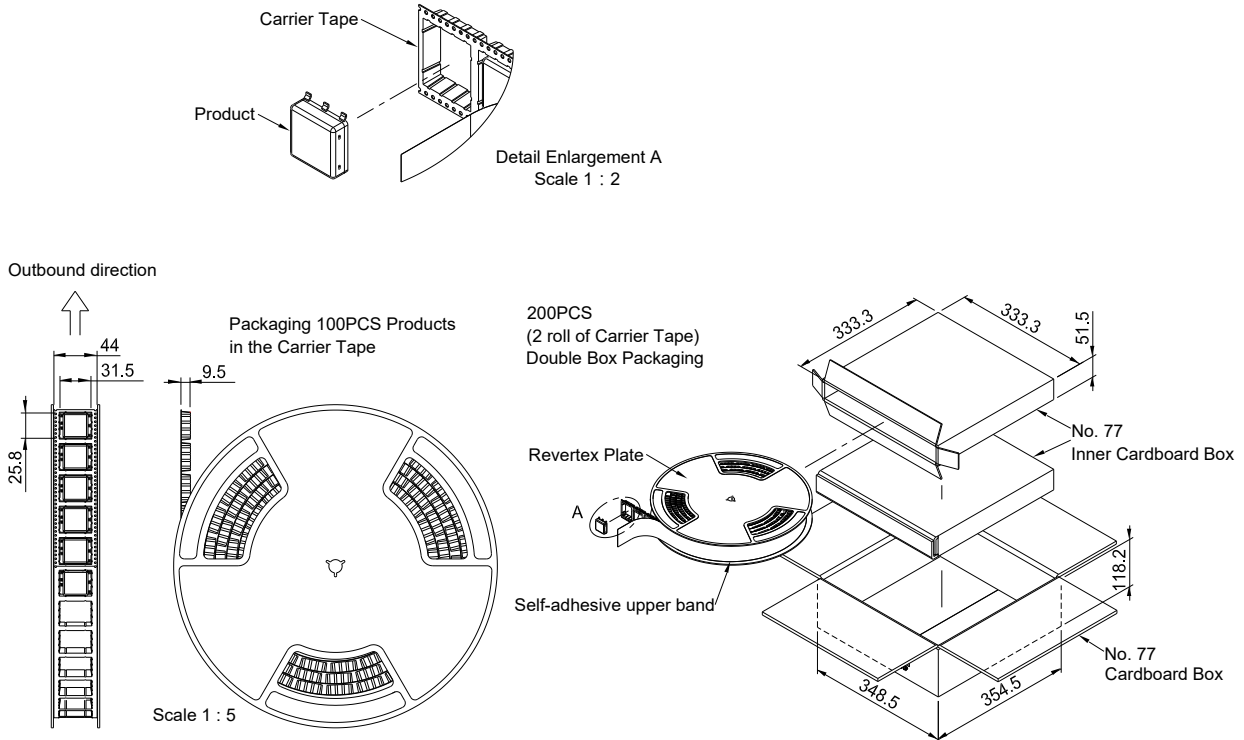
12-2. 0.64x0.36x0.29 Inch (EC1SA0XNS/1XNS Dual)





LOW POWER 1-75W DC-DC CONVERTER Packaging Information

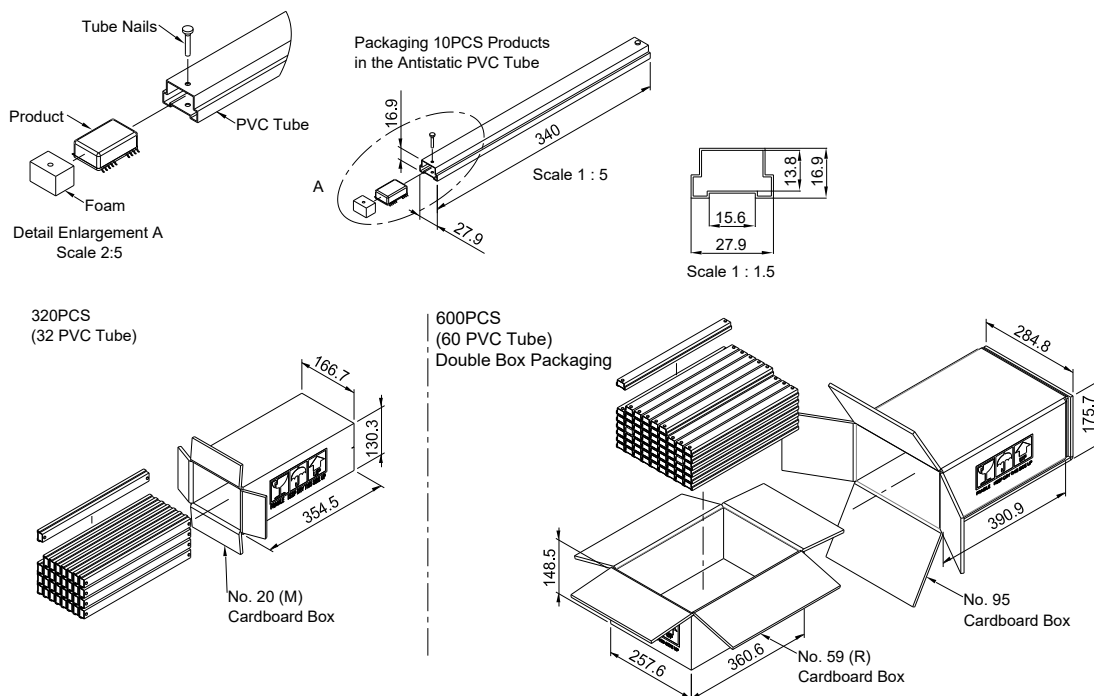
12-3. 1.00x1.00x0.36 Inch (EC2SBXX-XXS/EC3SBXX-XXS)



13. Package SMD24

13-1. 1.25x0.80x0.45 Inch (EC2A/3A/3AE//3AW/4A//4AW/5A/6A/6AW/7AXX(MS/HMS)

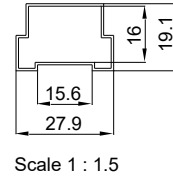
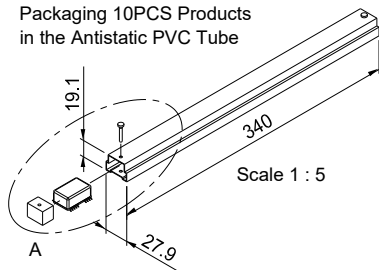
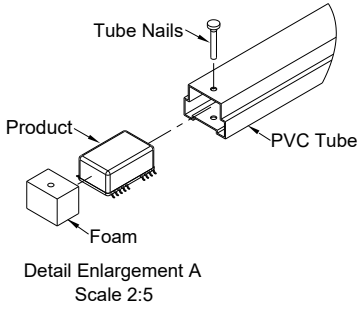
1.25x0.80x0.41 Inch (EC3A-E/EC4A-E(S/HS/MS/HMS)



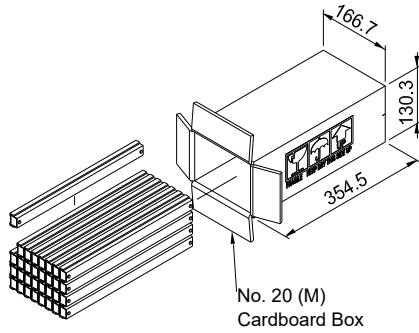


LOW POWER 1-75W DC-DC CONVERTER Packaging Information

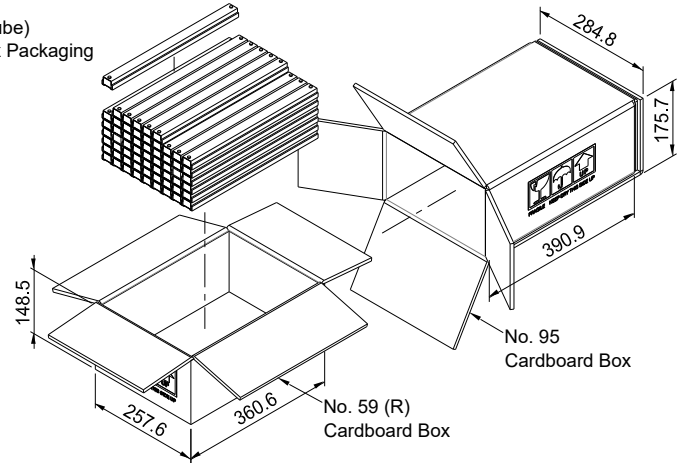
13-2. 1.25x0.80x0.55 Inch (EC3AB/4ABXX(MS/HMS))



320PCS
(32 PVC Tube)



600PCS
(60 PVC Tube)
Double Box Packaging

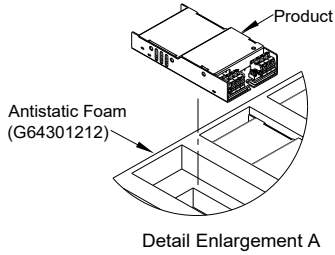




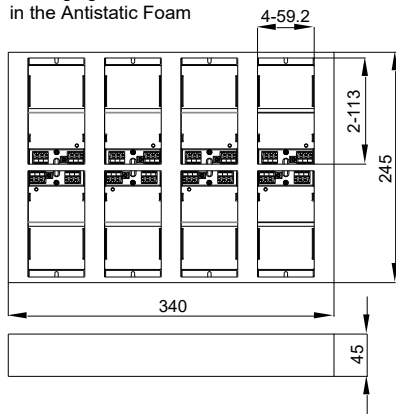
LOW POWER 1-75W
DC-DC CONVERTER
Packaging Information

14. Package Enclosed Chassis Mount/DIN Rail

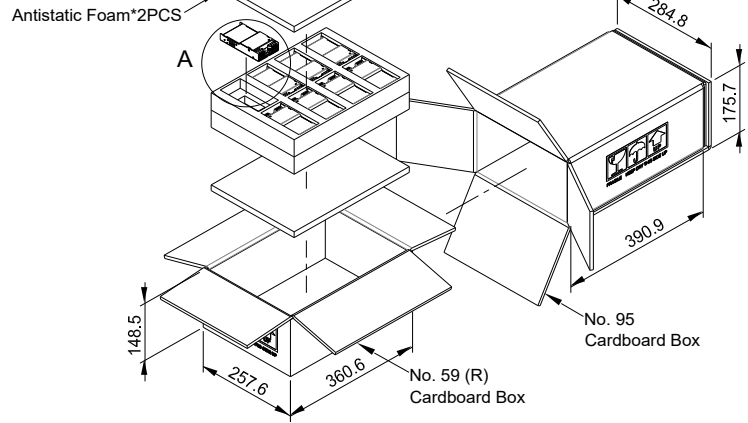
14-1. 4.45x2.33x0.85 & 4.45x2.33x1.43 Inch (EC7BW18-72 ECRT/EDRT)



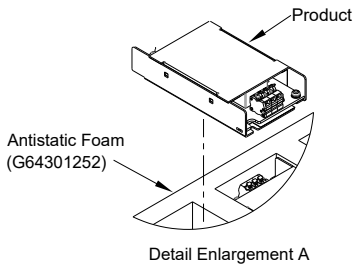
Packaging 8PCS Products in the Antistatic Foam



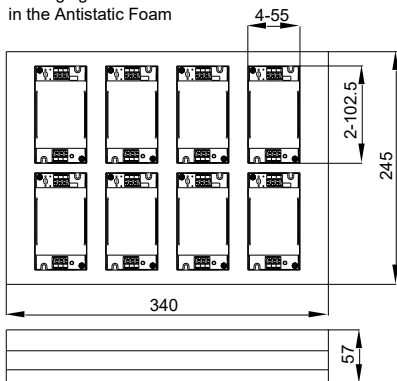
16PCS (2 Antistatic Foam) Double Box Packaging



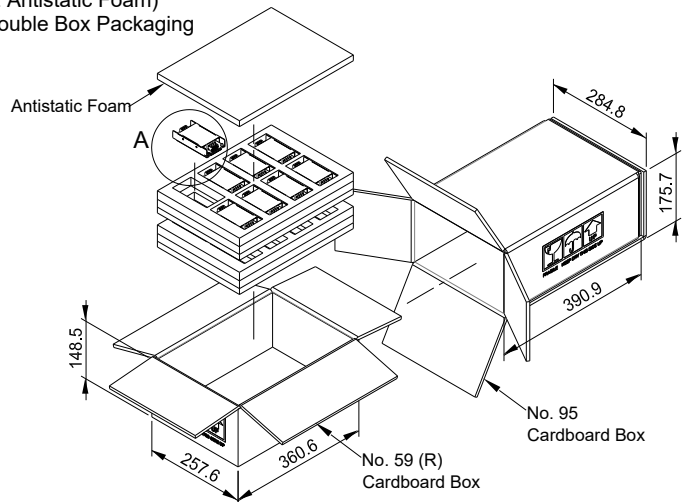
14-2. 4.00x2.14x0.80 & 4.00x2.14x1.38 Inch (EC7AW18-72 ECRT/EDRT)



Packaging 8PCS Products in the Antistatic Foam



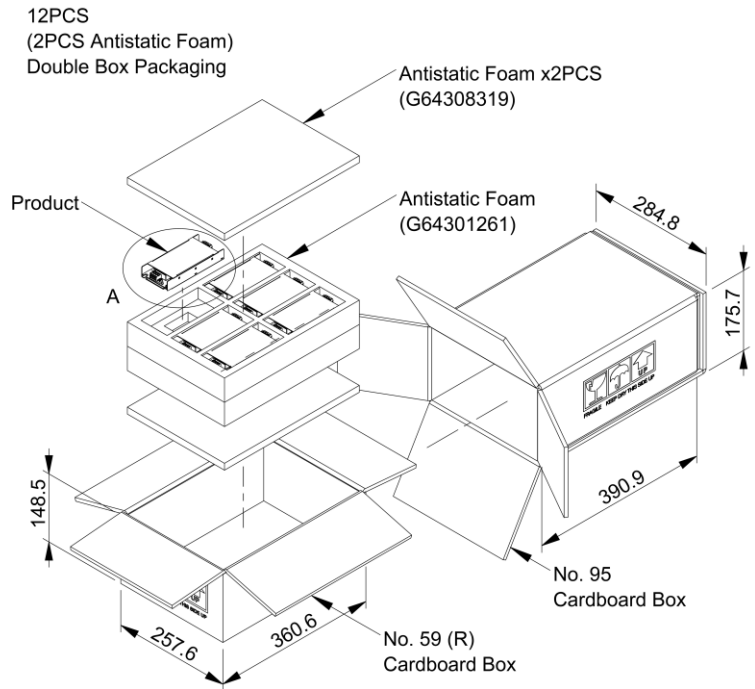
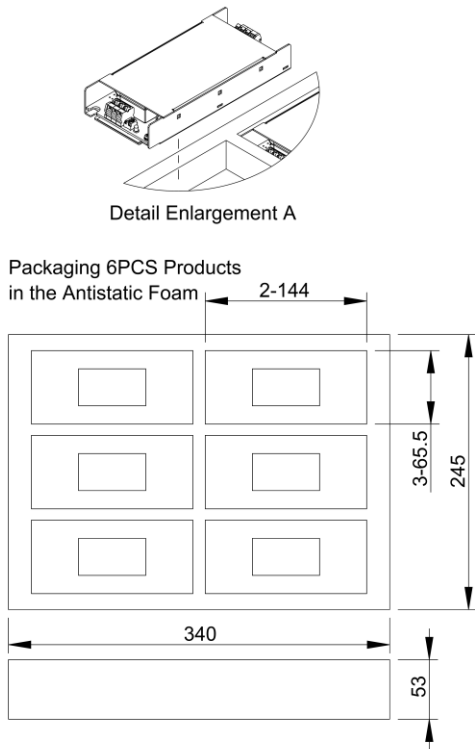
16PCS (2 Antistatic Foam) Double Box Packaging



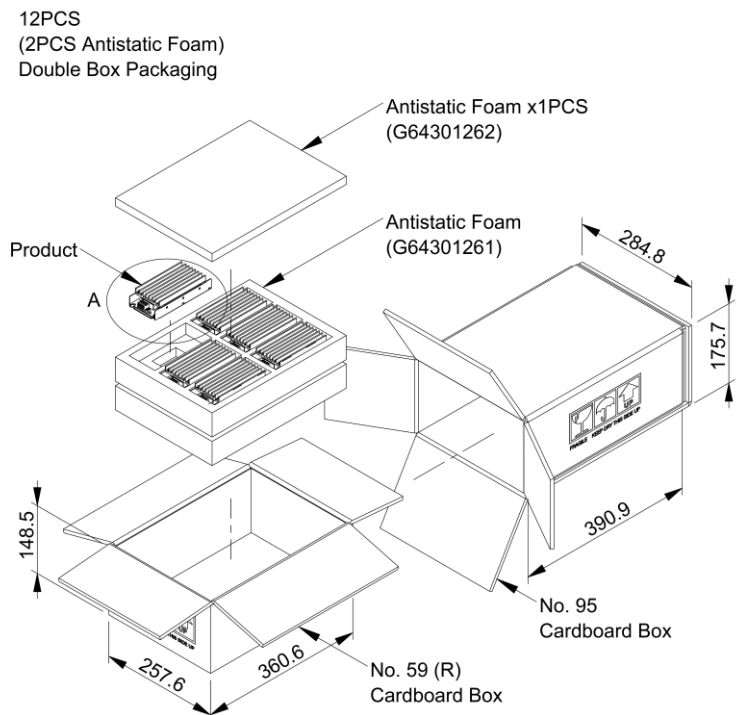
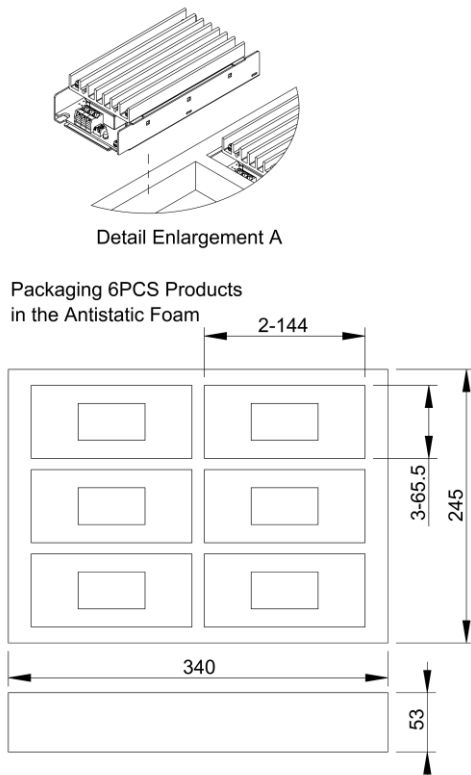


LOW POWER 1-75W DC-DC CONVERTER Packaging Information

14-3. 5.63x2.56x0.87 & 5.63x2.56x1.54 Inch (ECB40W18 ECRT/EDRT)



14-4. 5.63x2.56x1.42 & 5.63x2.56x2.05 Inch (ECB40W18 ECRT/EDRT+FBL127)

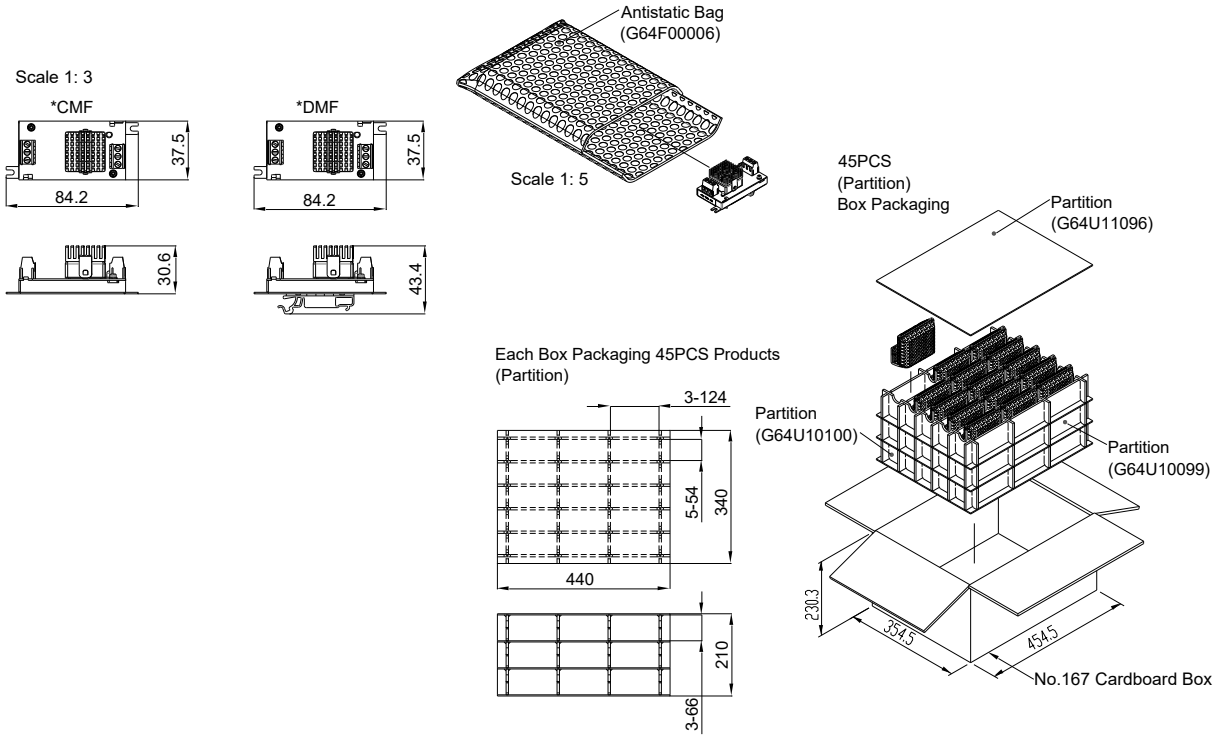




LOW POWER 1-75W DC-DC CONVERTER Packaging Information

15. Package Chassis Mount/DIN Rail

15-1. 3.04x1.48x1.20 (EC5SBW CMF) & 3.04x1.48x1.71 Inch (EC5SBW DMF)



16. Package SIP3

16-1. 0.48x0.34x0.69 Inch (NCS01W8)

