



LOW POWER 1-75W

DC-DC CONVERTER

Packaging Information

Contents

| | |
|---|----|
| 1. Package Table | 2 |
| 2. Package SIP 4 | 3 |
| 2-1. 0.46x0.24x0.40 Inch..... | 3 |
| 2-2. 0.46x0.30x0.40 Inch..... | 3 |
| 3. Package SIP7 | 4 |
| 3-1. 0.77x0.24x0.40 Inch..... | 4 |
| 3-2. 0.77x0.28x0.40 Inch..... | 4 |
| 4. Package SIP8 | 5 |
| 5. Package DIP16 | 5 |
| 5-1. 0.95x0.54x0.39 Inch..... | 5 |
| 6. Package DIP24 | 6 |
| 6-1. 1.25x0.80x0.40 Inch..... | 6 |
| 6-2. 1.25x0.80x0.50 Inch..... | 6 |
| 7. Package 1"x1" | 7 |
| 8. Package 2"x1" | 7 |
| 9. Package 2.05"x1.2" | 8 |
| 10. Package 2"x1.6" | 8 |
| 11. Package 2"x2" | 9 |
| 12. Package 2.56"x3" | 9 |
| 13. Package SMD | 10 |
| 13-1. 0.54x0.36x0.29 Inch..... | 10 |
| 13-2. 0.64x0.36x0.29 Inch..... | 10 |
| 13-3. 1.00x1.00x0.36 Inch..... | 11 |
| 14. Package SMD24 | 11 |
| 14-1. 1.25x0.80x0.45 & 1.25x0.80x0.41 Inch | 11 |
| 14-2. 1.25x0.80x0.55 Inch..... | 12 |
| 15. Package Enclosed Chassis Mount/DIN Rail | 13 |
| 15-1. 4.45x2.33x0.85 & 4.45x2.33x1.43 Inch | 13 |
| 15-2. 4.00x2.14x0.80 & 4.00x2.14x1.38 Inch | 13 |
| 15-3. 5.63x2.56x0.87 & 5.63x2.56x1.54 Inch | 14 |
| 15-4. 5.63x2.56x1.42 & 5.63x2.56x2.05 Inch | 14 |
| 16. Package Chassis Mount/DIN Rail | 15 |
| 3.04x1.48x1.20 & 3.04x1.48x1.71 Inch..... | 15 |
| 17. Package SIP3 | 15 |
| 17-1. 0.48x0.34x0.69 Inch..... | 15 |
| 18. Package 3.00"x2.00" | 16 |
| 19. Package 3.50"x2.50" | 16 |

CINCON Electronics Co. Ltd.
Add: 14F, No. 306, Sec.4, Hsin Yi Rd., Taipei, Taiwan
Tel: 886-2-27086210
Fax: 886-2-27029852
E-mail: sales@cincon.com
Web: www.cincon.com



LOW POWER 1-75W
DC-DC CONVERTER
Packaging Information

1. Package Table

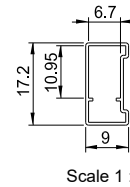
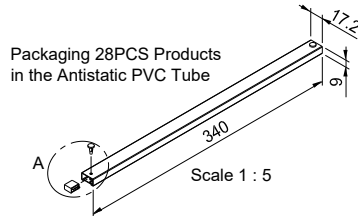
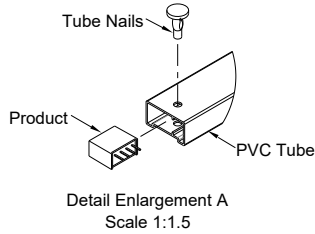
| Package | Product Series |
|--|---|
| 0.46"x0.24"x0.40" (SIP4) | EC1TA0XN/1XN |
| 0.46"x0.30"x0.40" (SIP4) | EC1TA2XN |
| 0.77"x0.24"x0.40" (SIP7) | EC1SA0XN/1XN |
| 0.77"x0.28"x0.40" (SIP7) | EC1SA2XN/2SAN/2SANH |
| 0.86"x0.36"x0.44" (SIP8) | EC2SA/3SA/3SAW/4SAW |
| 0.87"x0.37"x0.47" (SIP8) | EC5SAW |
| 0.95"x0.54x0.39 (DIP16) | EC5DAW/4DAW |
| 1.25"x0.80"x0.40" (DIP24) | EC2A/3A/3AE/3A-E/3AW/4A/4A-E/4AW EC4AW-H6/5A/6A/6AW/7A/8AW/7AW |
| 1.25"x0.80"x0.50" (DIP24) | EC3AB/4AB/6AW-110/7AW18 |
| 1"x1" (DIP) | EC2SB/2SBW/3SB/3SBW/4SBW/5SBW/2SBW-H |
| 2"x1" (DIP) | EC3B/3BB/4BE/4BW/4BU/5BE/5BW/5BU/7B/7BW EC7BW-110/9BW/7BW18 |
| 2.05"x1.2" (DIP) | ECLB40W/40W-110/60/60W/75W/ECB40W18 |
| 2"x1.6" (DIP) | EC1SC/3SCW |
| 2"x2" (DIP) | EC3C/3CB/5C/6C/7C |
| 2.56"x3" (DIP) | EC6E |
| 0.54"x0.36"x0.29" (SMD) | EC1SA0XNS/1XNS Single |
| 0.64"x0.36"x0.29" (SMD) | EC1SA0XNS/1XNS Dual |
| 1.00"x1.00"x0.36" (SMD) | EC2SBXX-XXS/EC3SBXX-XXS |
| 1.25"x0.80"x0.45" (SMD24) | EC2A/3A/3AE//3AW/4A//4AW/5A/6A/6AW/7AXX(MS/HMS) |
| 1.25"x0.80"x0.41" (SMD24) | EC3A-E/EC4A-E(S/HS/MS/HMS) |
| 1.25"x0.80"x0.55" (SMD24) | EC3AB/4ABXX(MS/HMS) |
| 4.45"x2.33" (Enclosed Chassis Mount/DIN Rail) | EC7BW18-72 ECRT/EDRT |
| 4.00"x2.14" (Enclosed Chassis Mount/DIN Rail) | EC7AW18-72 ECRT/EDRT |
| 5.63"x2.56" (Enclosed Chassis Mount/DIN Rail) | ECB40W18 ECRT/EDRT |
| 3.04"x1.48" (Chassis Mount/DIN Rail) | EC5SBW C(D)MF |
| 0.48"x0.34"x0.69" (SIP3) | NCS01W8 |
| 3.00"x2.00"x0.984" (DIP) | DH15W10 |
| 3.50"x2.50"x0.984" (DIP) | DH30/45W10 |



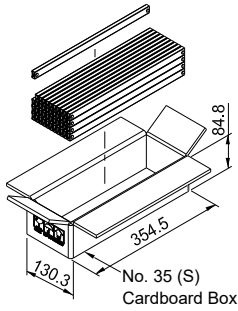
LOW POWER 1-75W DC-DC CONVERTER Packaging Information

2. Package SIP 4

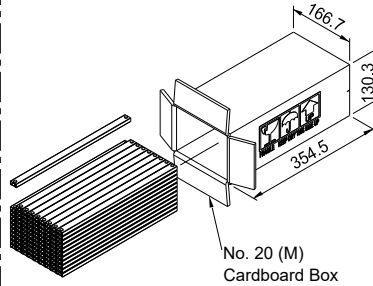
2-1. 0.46x0.24x0.40 Inch



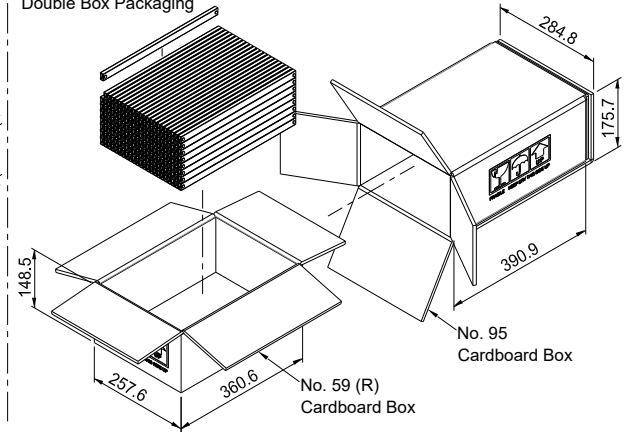
1232PCS
(44 PVC Tube)



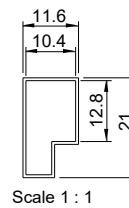
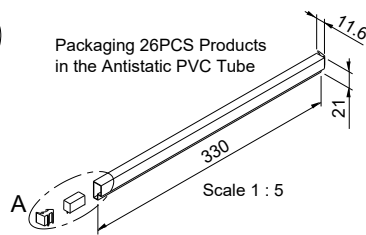
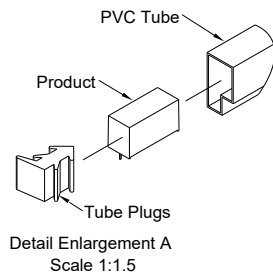
2772PCS
(99 PVC Tube)



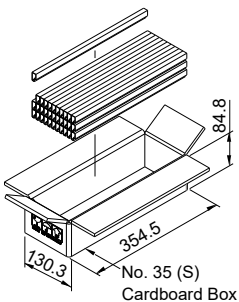
5152PCS
(184 PVC Tube)
Double Box Packaging



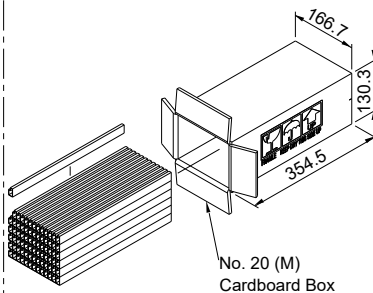
2-2. 0.46x0.30x0.40 Inch



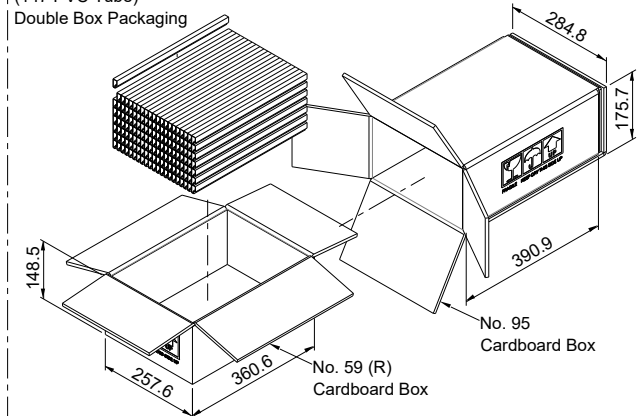
858PCS
(33 PVC Tube)



2028PCS
(78 PVC Tube)



3822PCS
(147 PVC Tube)
Double Box Packaging

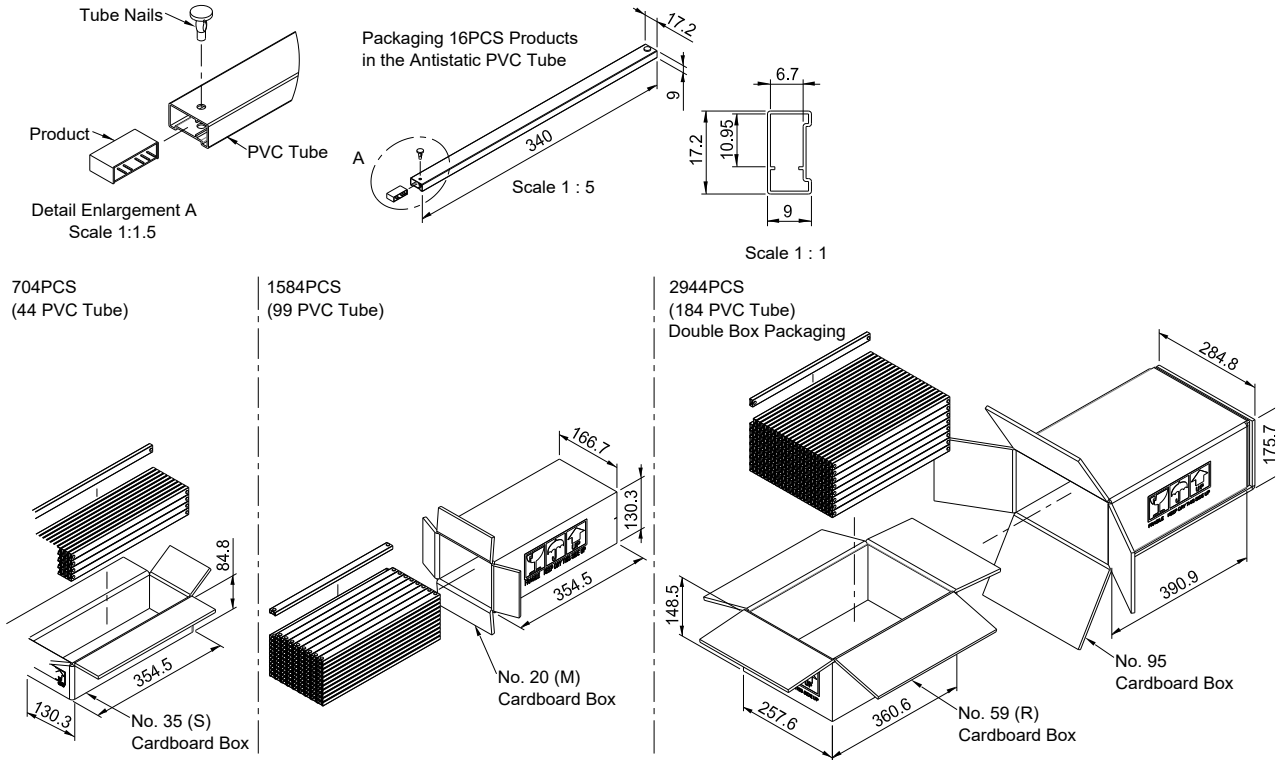




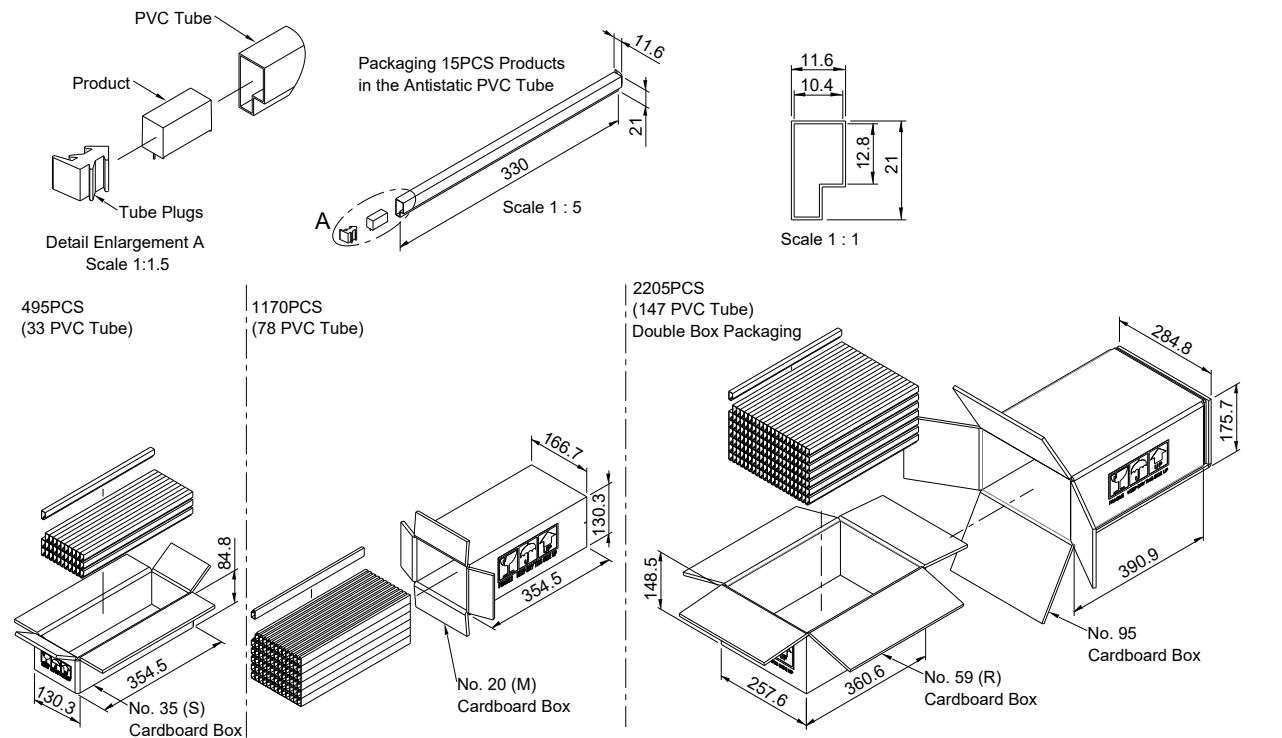
LOW POWER 1-75W DC-DC CONVERTER Packaging Information

3. Package SIP7

3-1. 0.77x0.24x0.40 Inch



3-2. 0.77x0.28x0.40 Inch

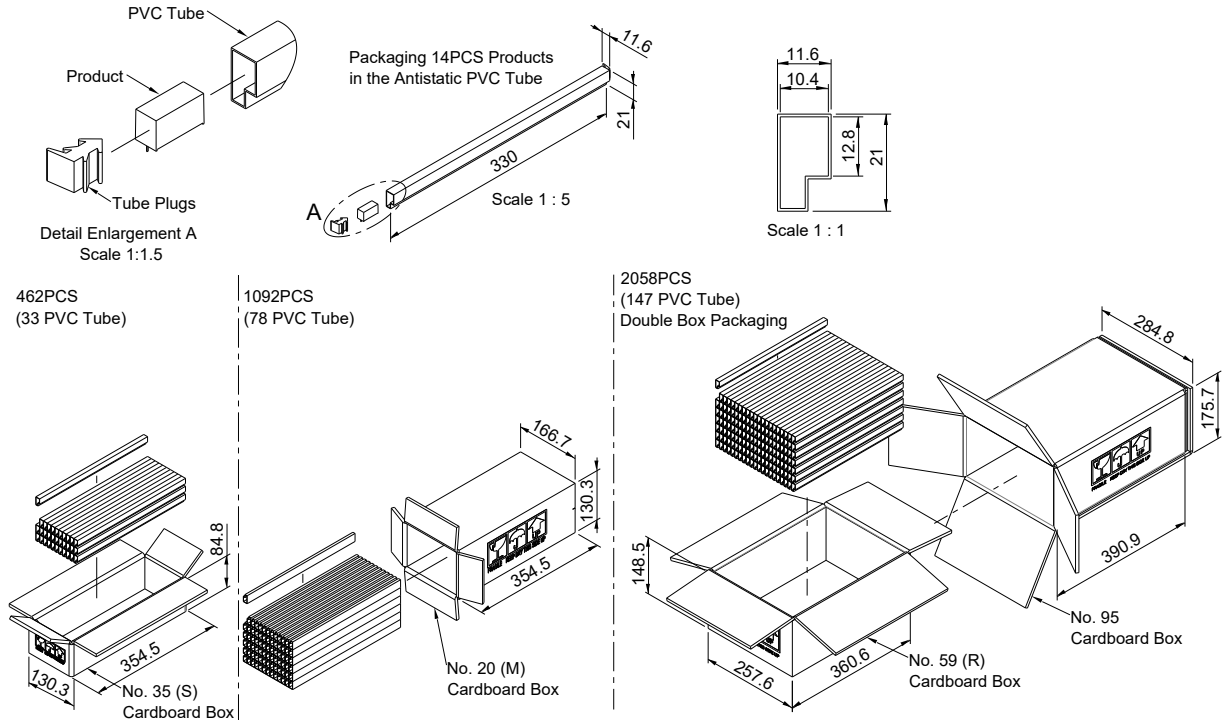




LOW POWER 1-75W DC-DC CONVERTER Packaging Information

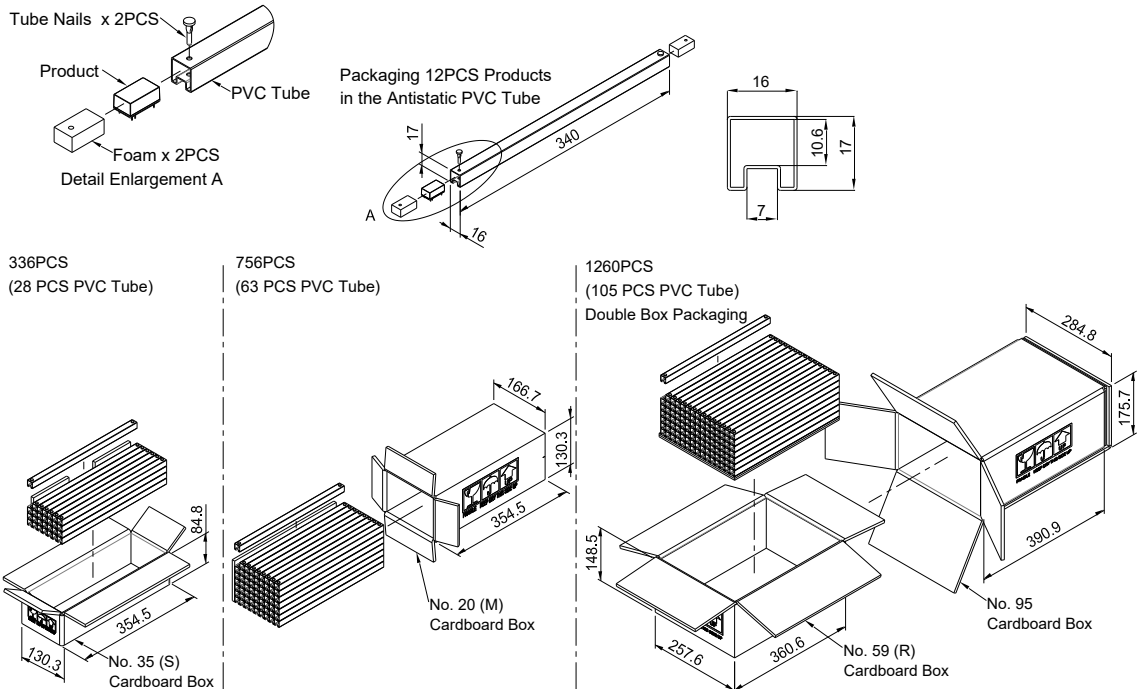
4. Package SIP8

0.86x0.36x0.44 & 0.87x0.37x0.47 Inch



5. Package DIP16

5-1. 0.95x0.54x0.39 Inch

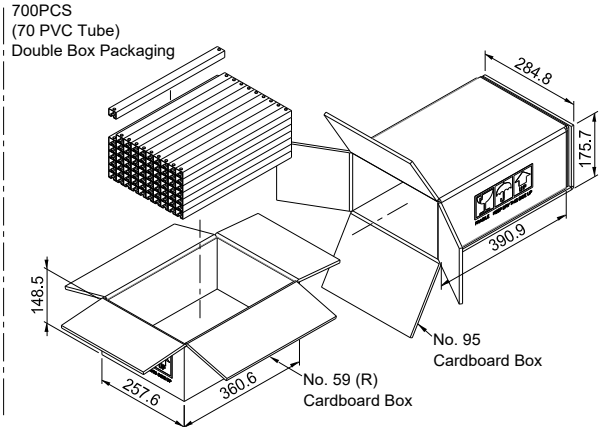
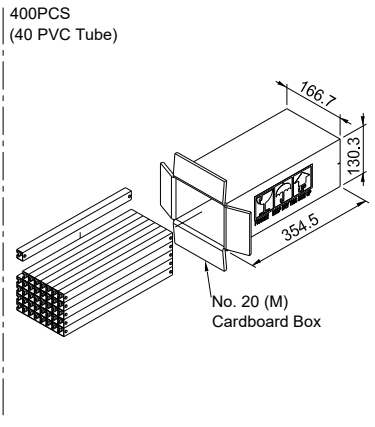
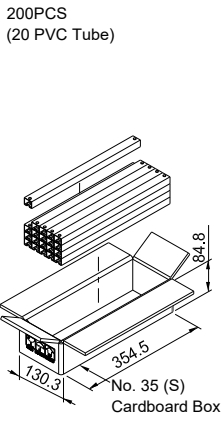
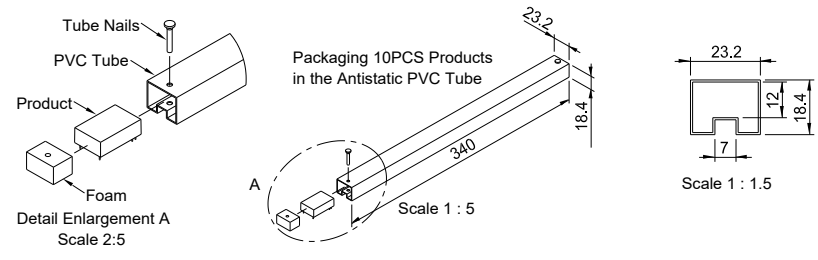




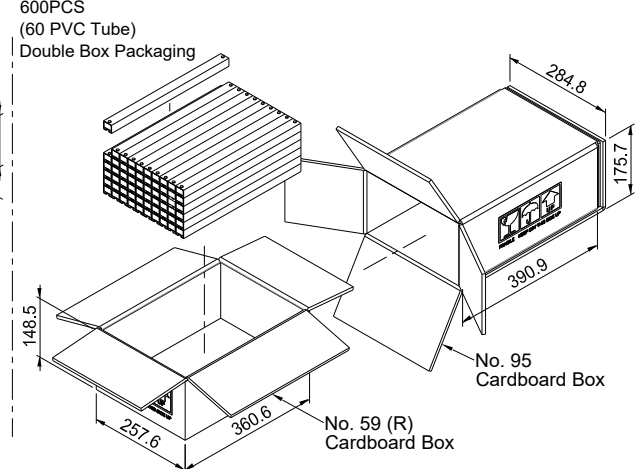
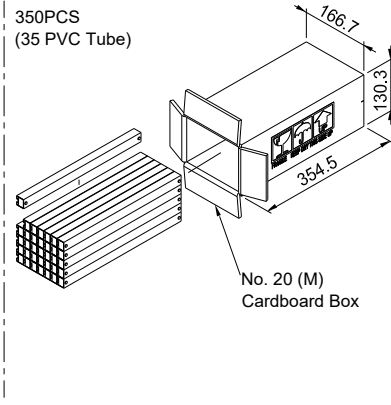
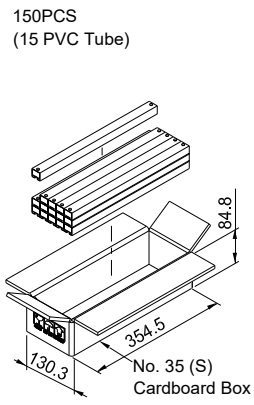
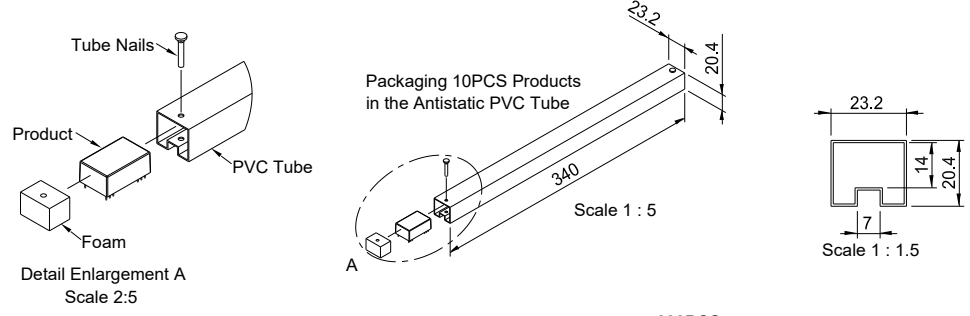
LOW POWER 1-75W DC-DC CONVERTER Packaging Information

6. Package DIP24

6-1. 1.25x0.80x0.40 Inch



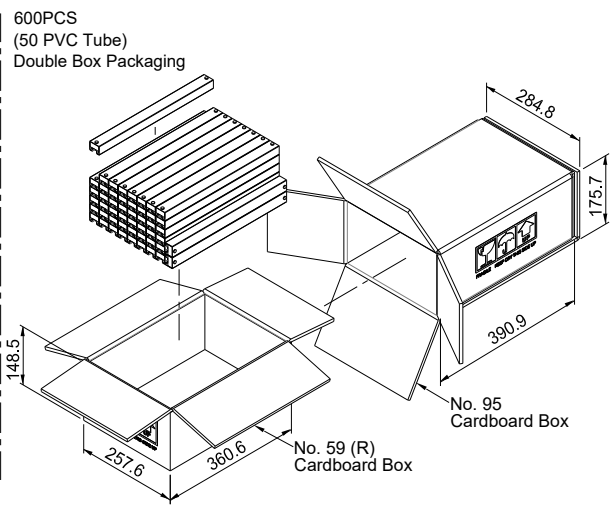
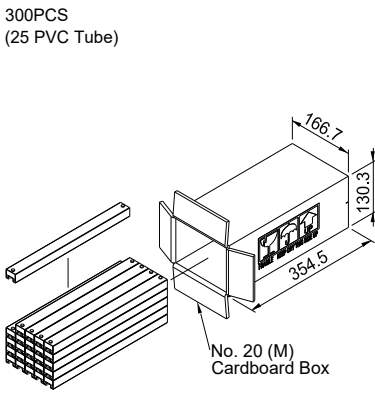
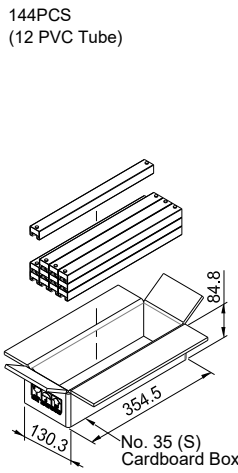
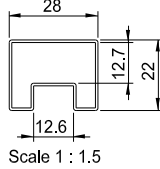
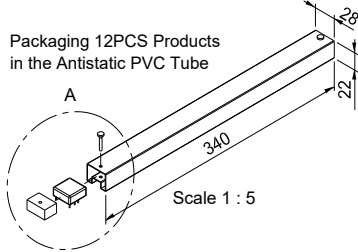
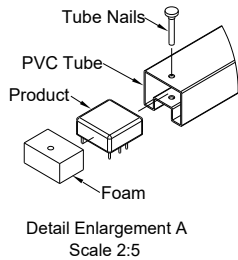
6-2. 1.25x0.80x0.50 Inch



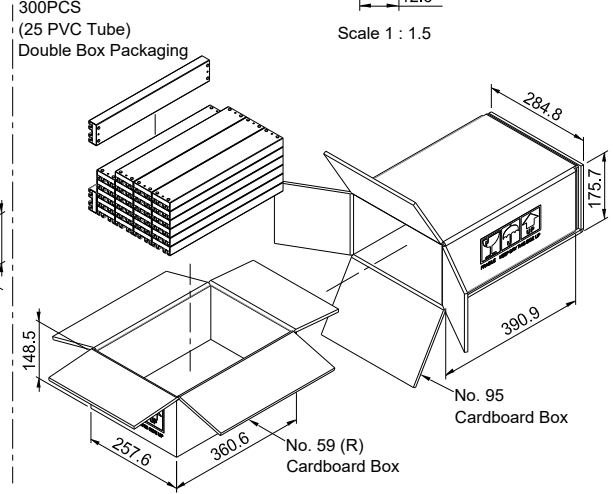
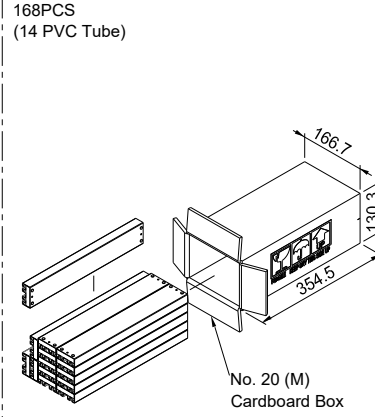
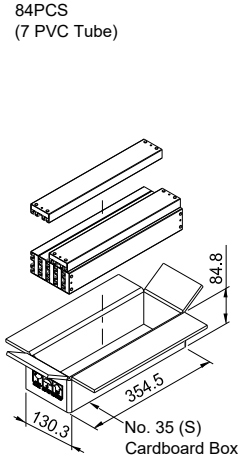
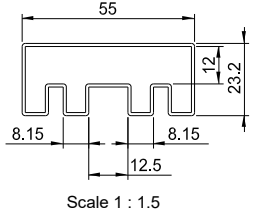
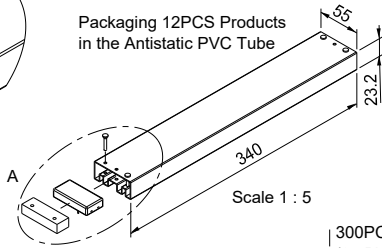
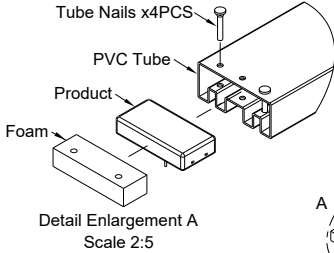


LOW POWER 1-75W DC-DC CONVERTER Packaging Information

7. Package 1"x1"



8. Package 2"x1"

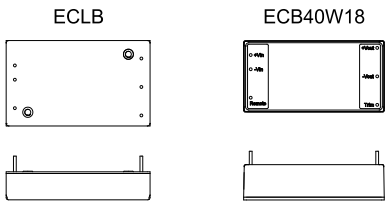
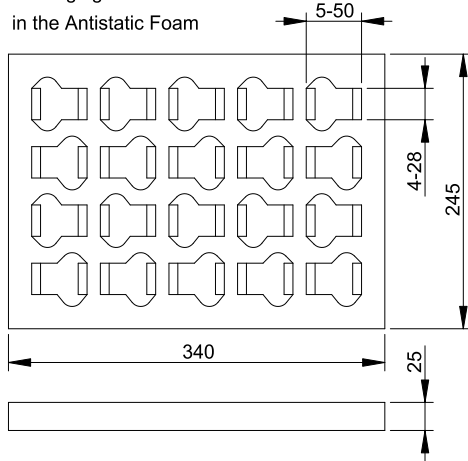




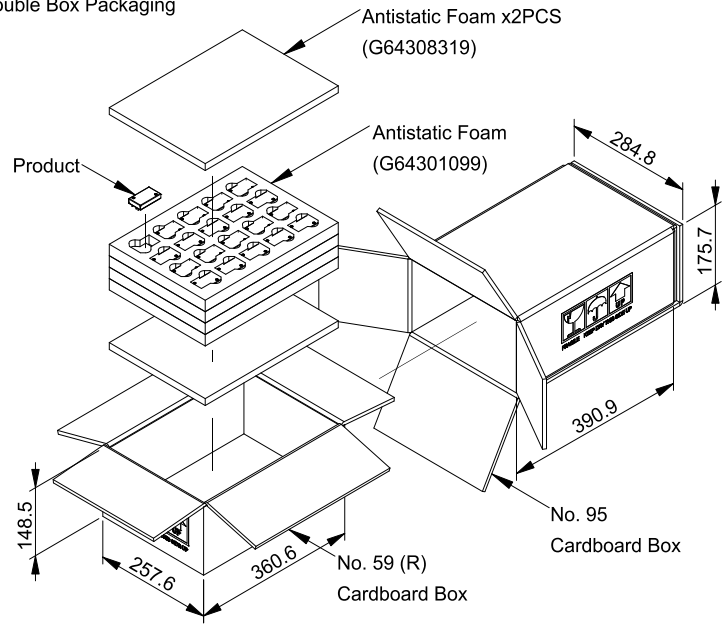
LOW POWER 1-75W DC-DC CONVERTER Packaging Information

9. Package 2.05"x1.2"

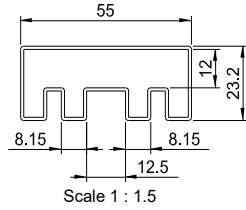
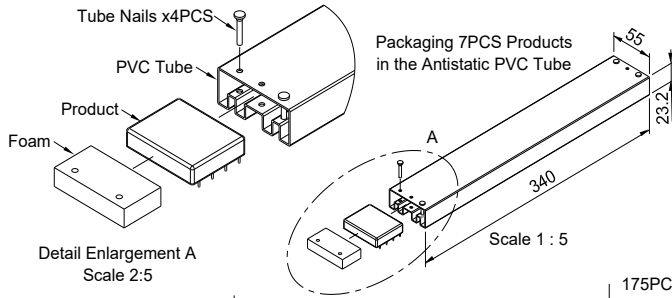
Packaging 20PCS Products
in the Antistatic Foam



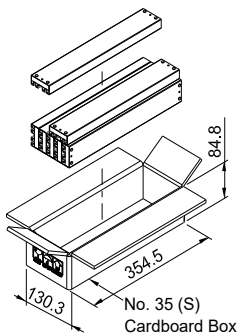
80PCS
(4PCS Antistatic Foam)
Double Box Packaging



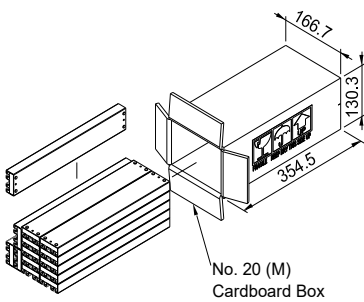
10. Package 2"x1.6"



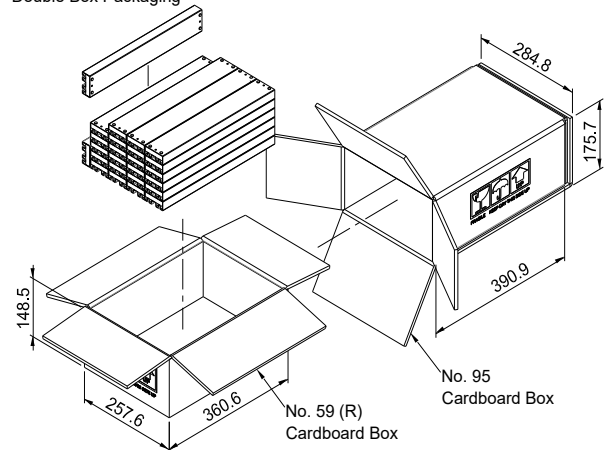
49PCS
(7 PVC Tube)



98PCS
(14 PVC Tube)



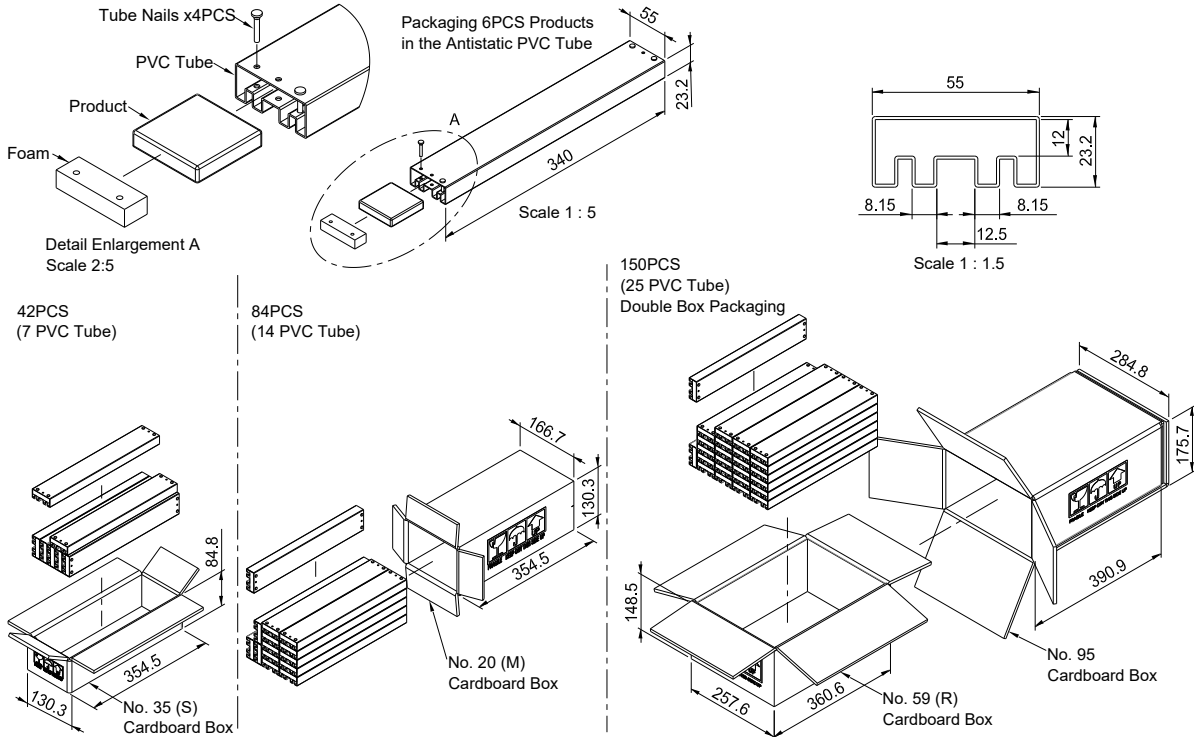
175PCS
(25 PVC Tube)
Double Box Packaging



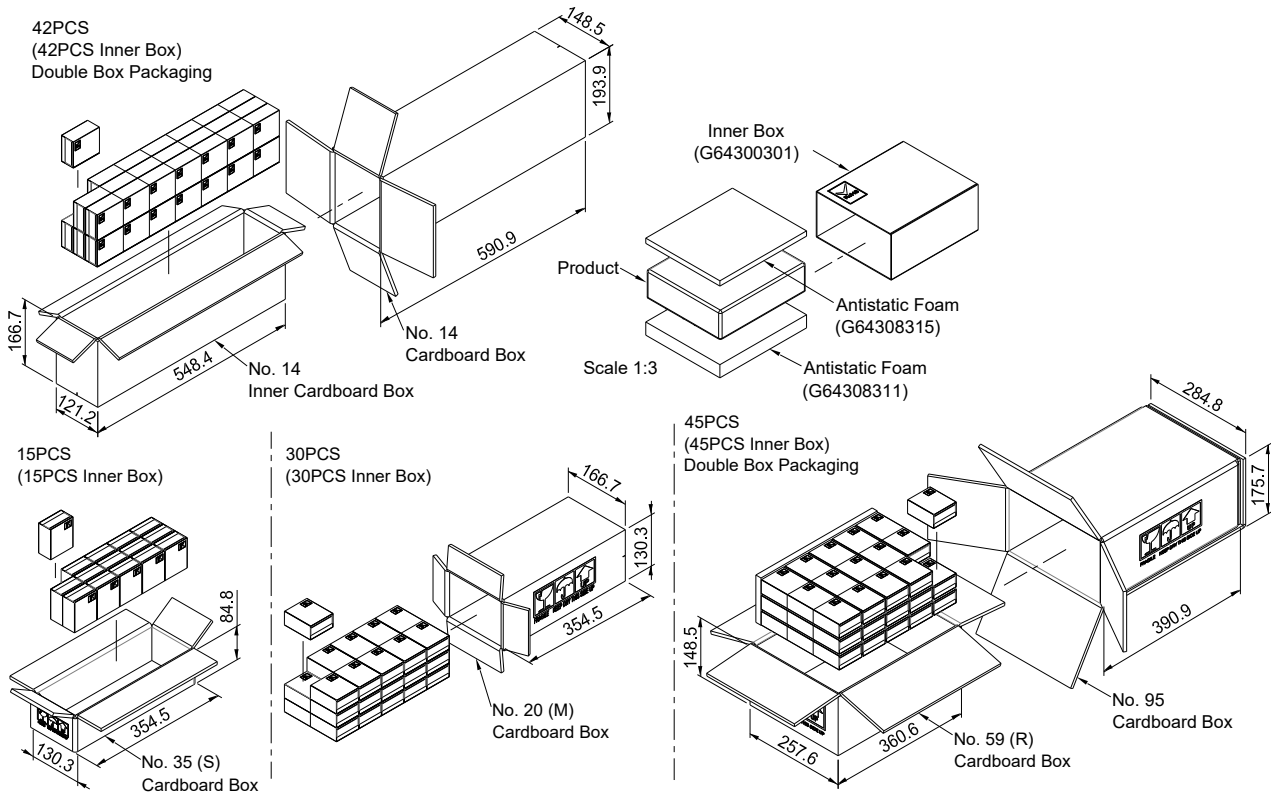


LOW POWER 1-75W DC-DC CONVERTER Packaging Information

11. Package 2"x2"



12. Package 2.56"x3"

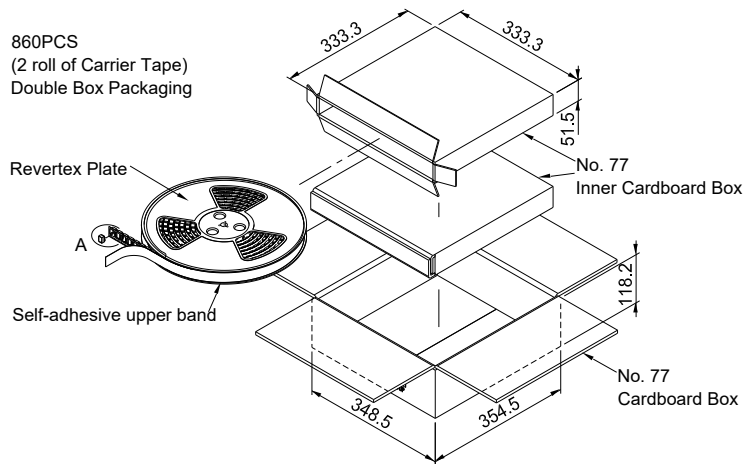
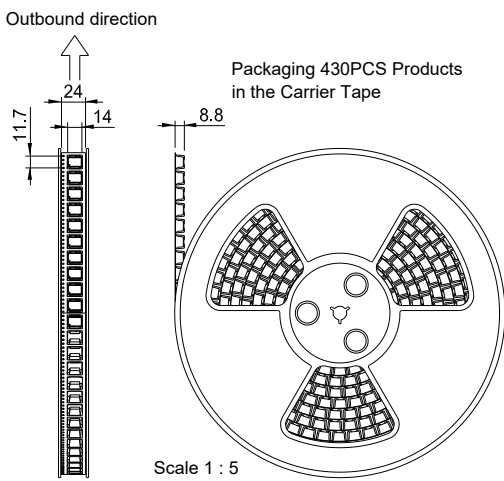
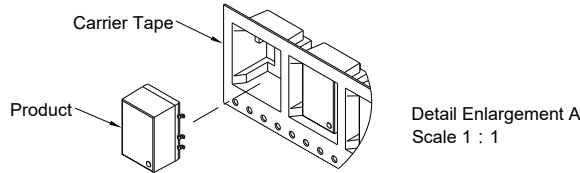




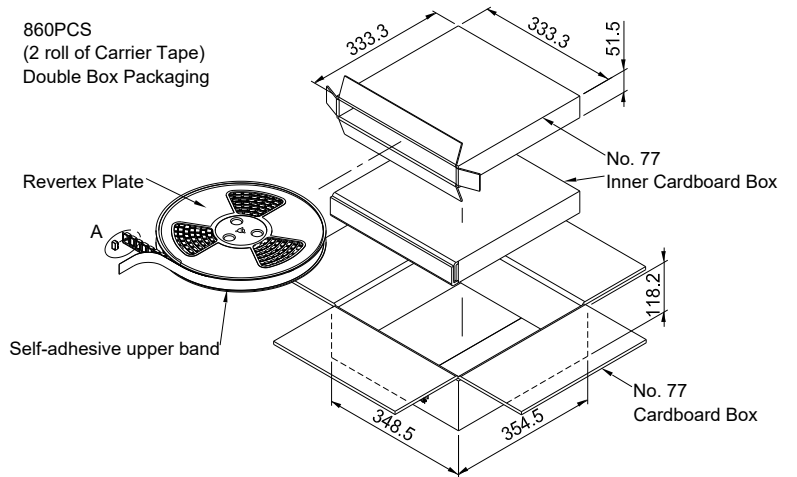
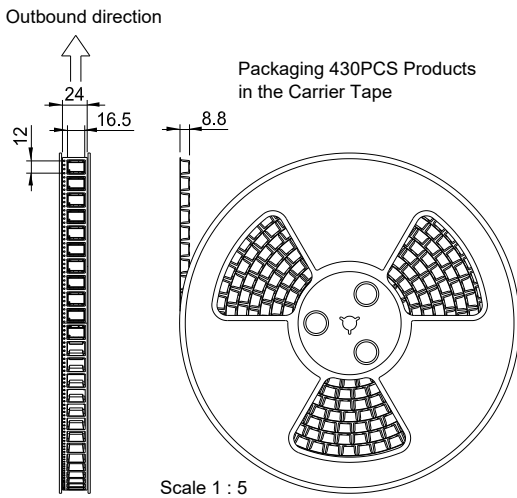
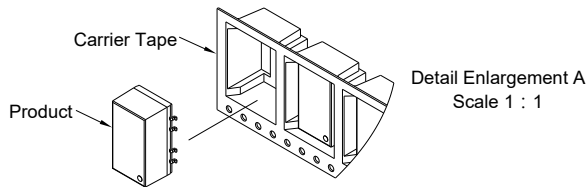
LOW POWER 1-75W
DC-DC CONVERTER
Packaging Information

13. Package SMD

13-1. 0.54x0.36x0.29 Inch



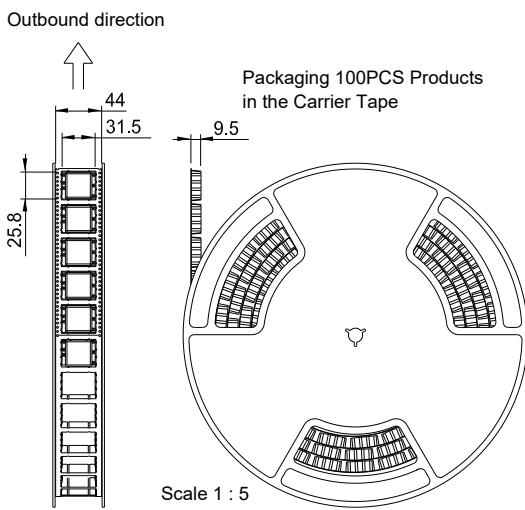
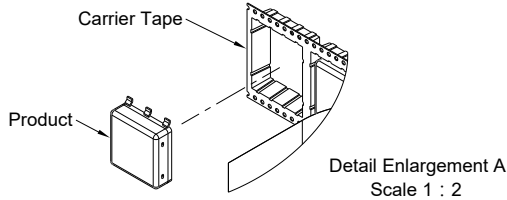
13-2. 0.64x0.36x0.29 Inch



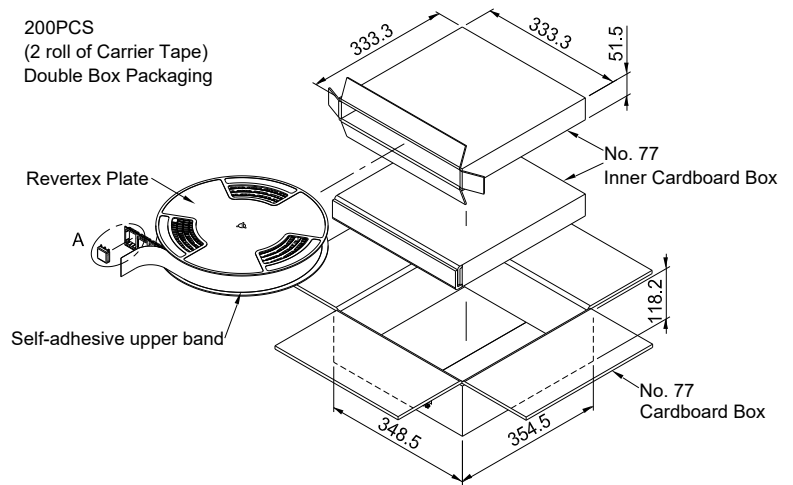


LOW POWER 1-75W DC-DC CONVERTER Packaging Information

13-3. 1.00x1.00x0.36 Inch

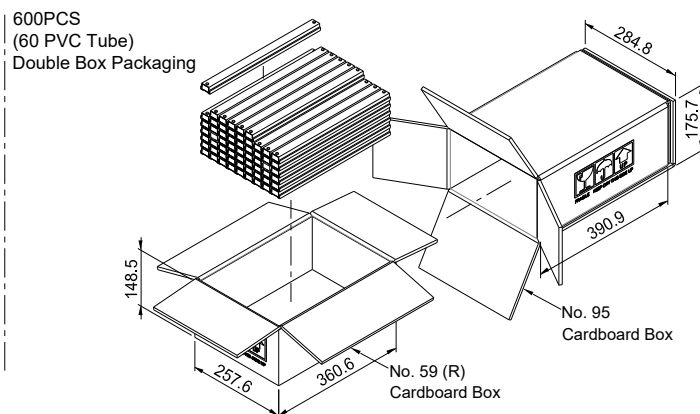
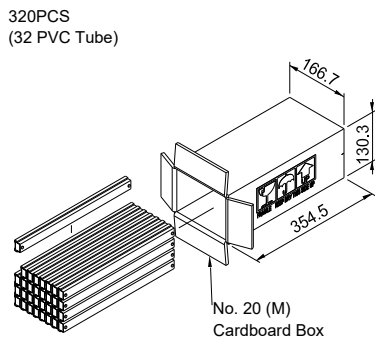
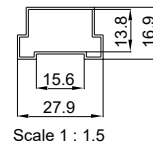
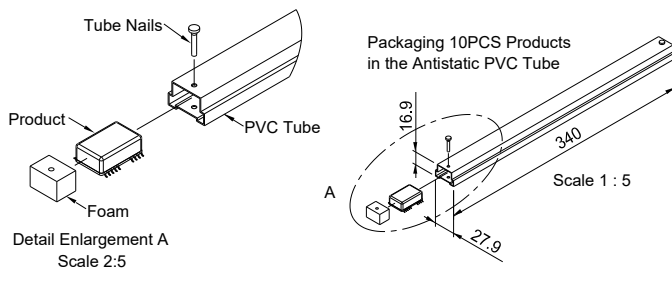


200PCS
(2 roll of Carrier Tape)
Double Box Packaging



14. Package SMD24

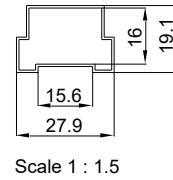
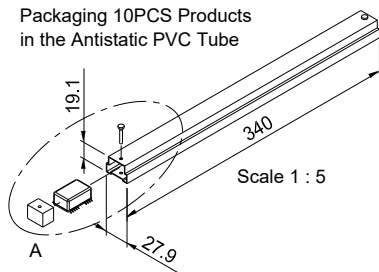
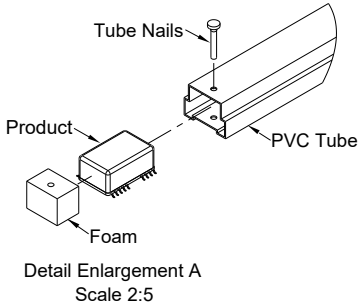
14-1. 1.25x0.80x0.45 & 1.25x0.80x0.41 Inch



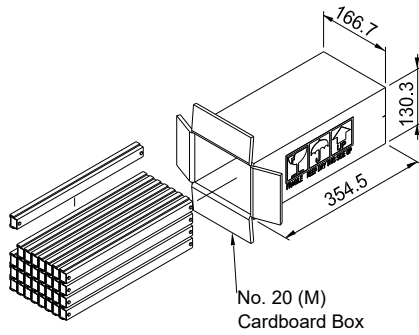


LOW POWER 1-75W DC-DC CONVERTER Packaging Information

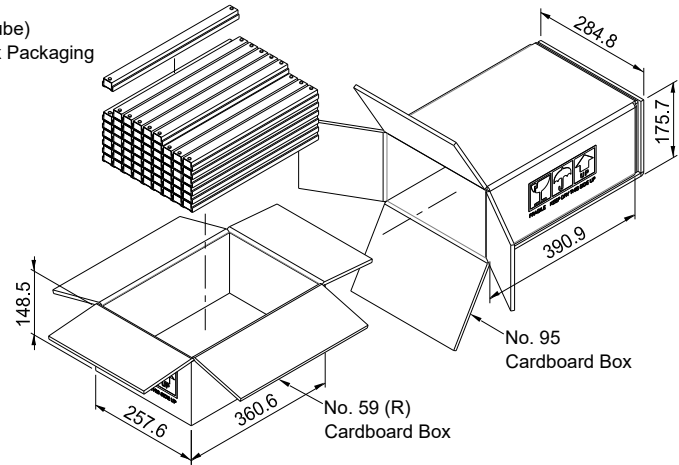
14-2. 1.25x0.80x0.55 Inch



320PCS
(32 PVC Tube)



600PCS
(60 PVC Tube)
Double Box Packaging

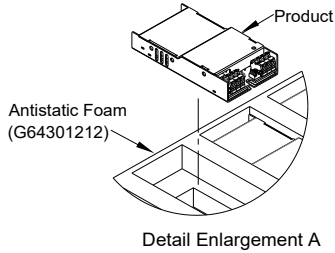




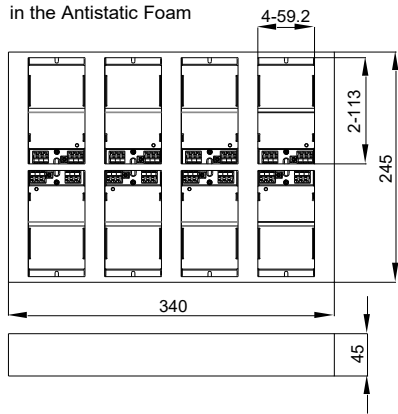
LOW POWER 1-75W
DC-DC CONVERTER
Packaging Information

15. Package Enclosed Chassis Mount/DIN Rail

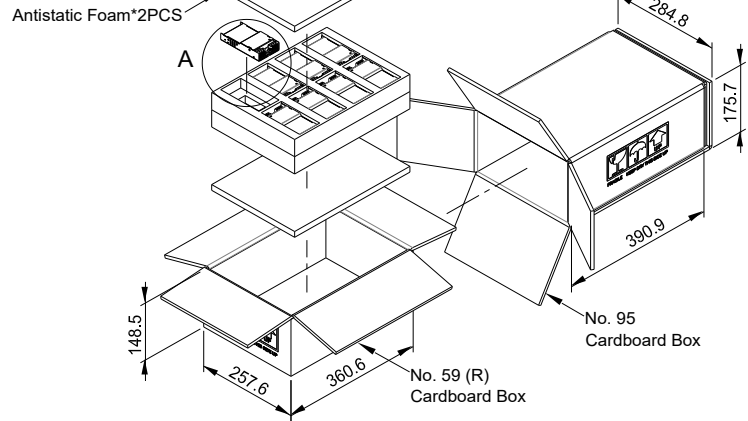
15-1. 4.45x2.33x0.85 & 4.45x2.33x1.43 Inch



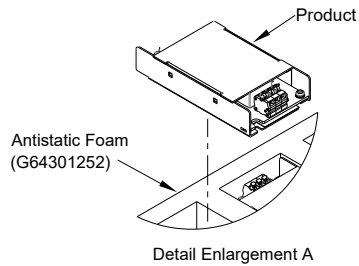
Packaging 8PCS Products in the Antistatic Foam



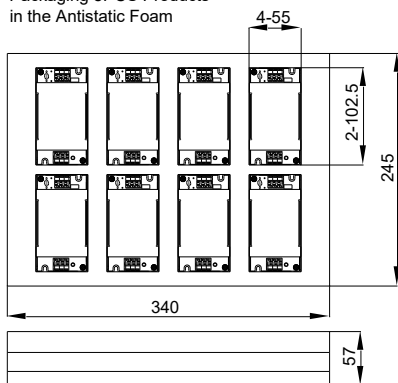
16PCS (2 Antistatic Foam) Double Box Packaging



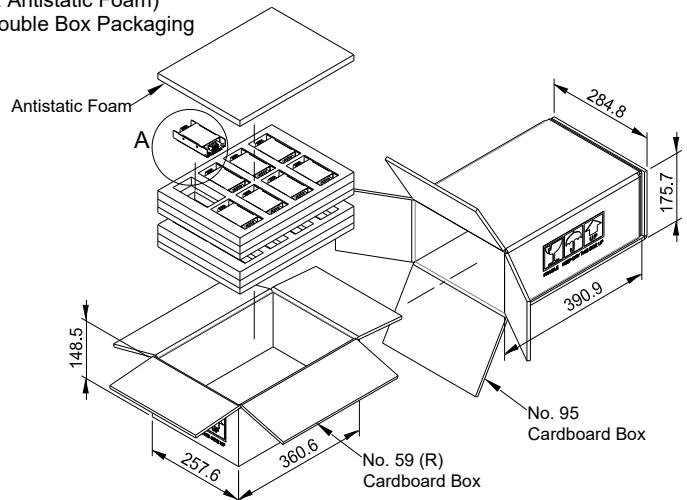
15-2. 4.00x2.14x0.80 & 4.00x2.14x1.38 Inch



Packaging 8PCS Products in the Antistatic Foam



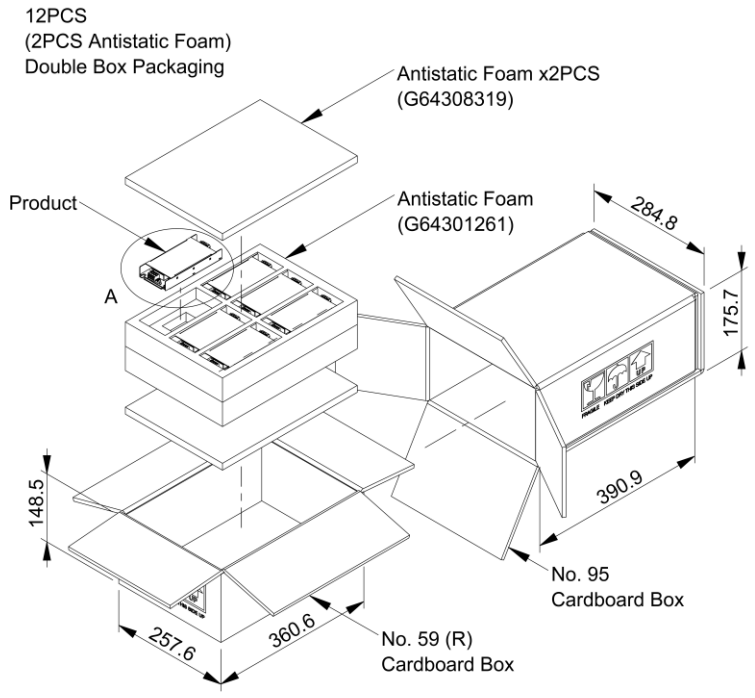
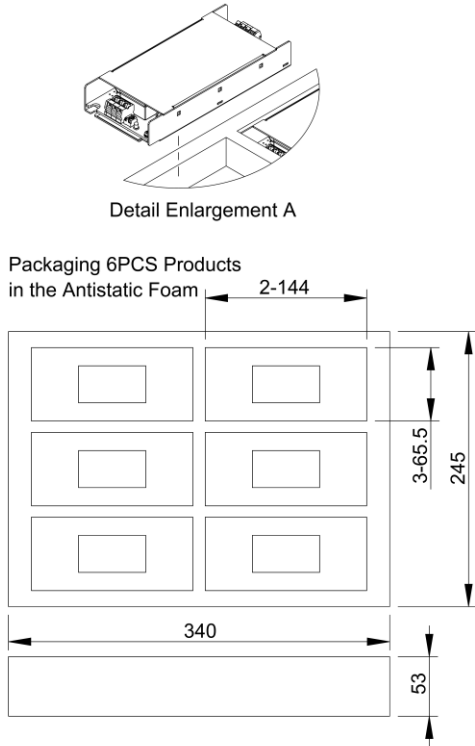
16PCS (2 Antistatic Foam) Double Box Packaging



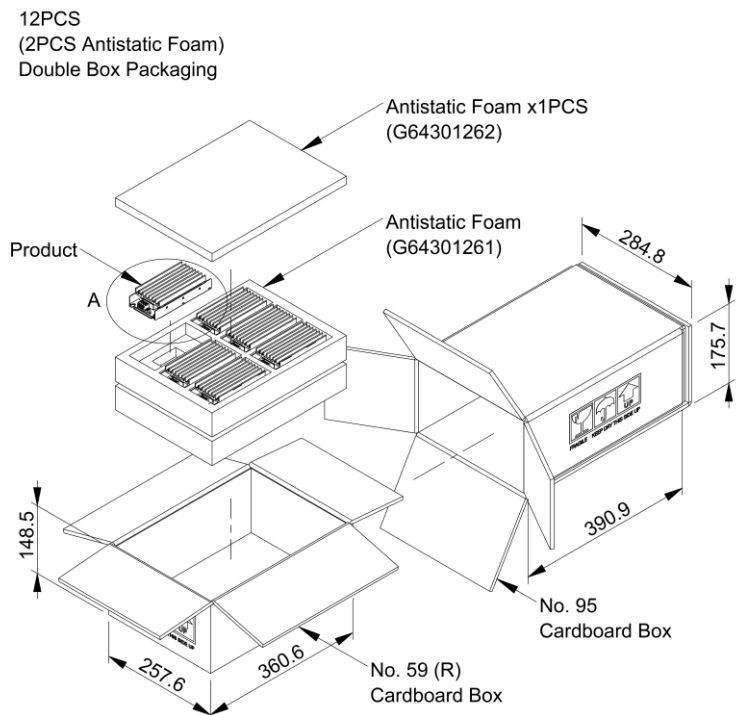
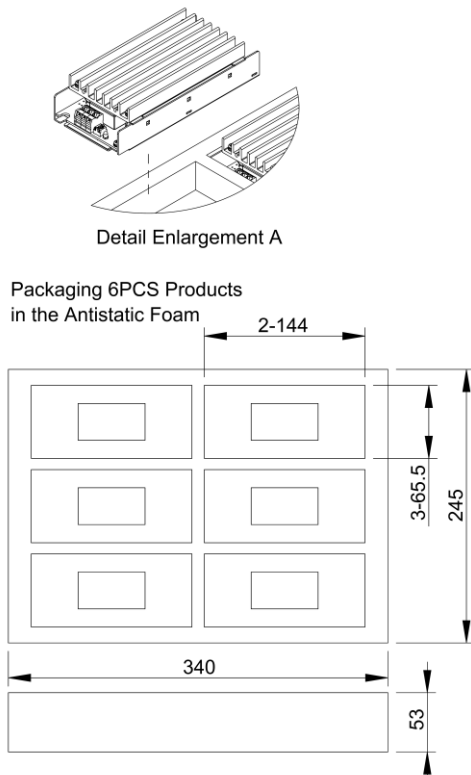


LOW POWER 1-75W DC-DC CONVERTER Packaging Information

15-3. 5.63x2.56x0.87 & 5.63x2.56x1.54 Inch



15-4. 5.63x2.56x1.42 & 5.63x2.56x2.05 Inch

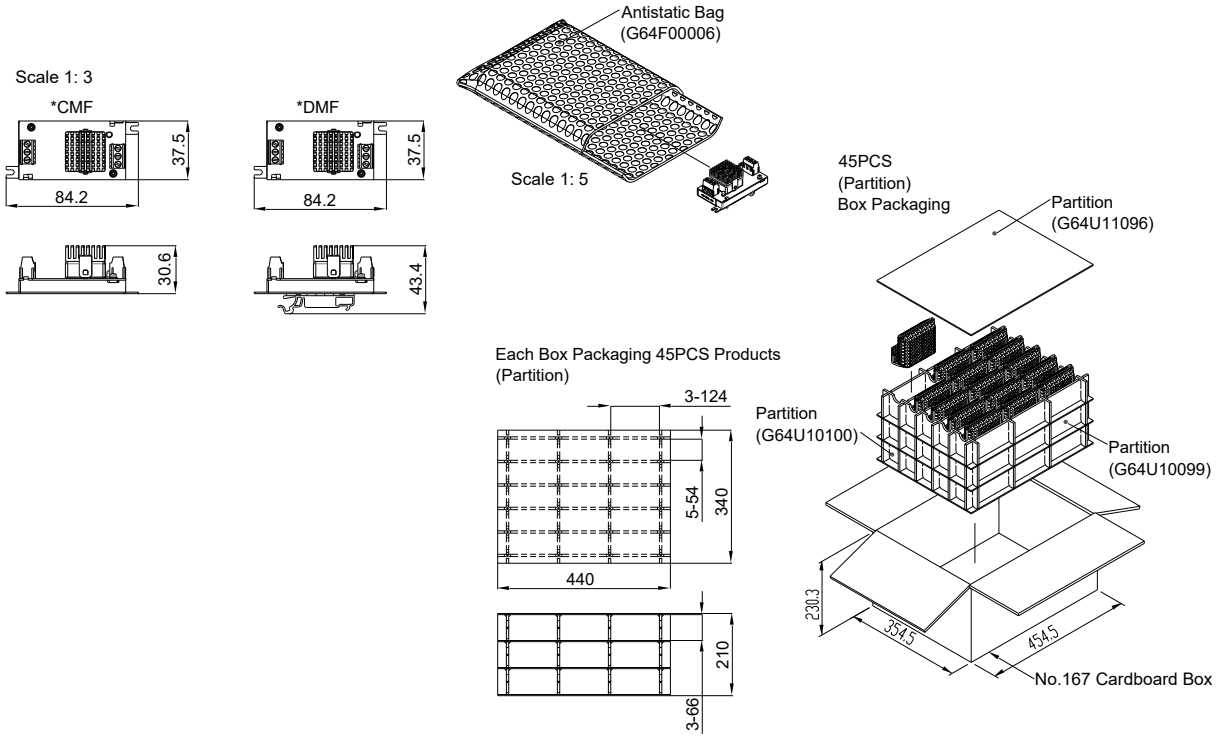




LOW POWER 1-75W DC-DC CONVERTER Packaging Information

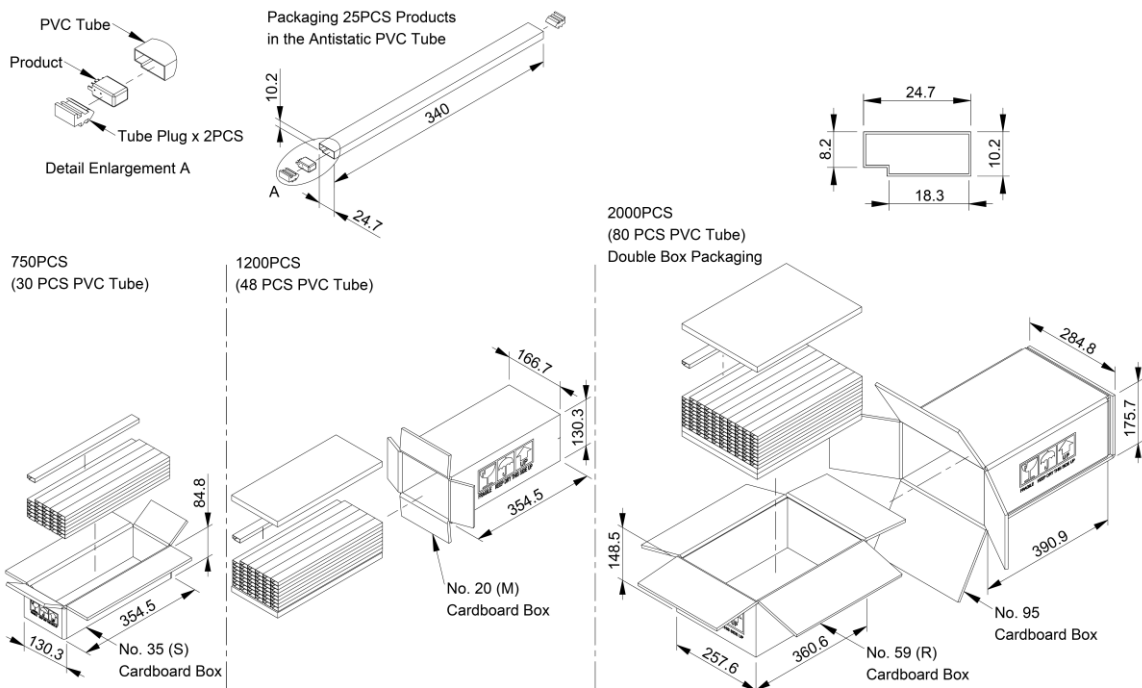
16. Package Chassis Mount/DIN Rail

3.04x1.48x1.20 & 3.04x1.48x1.71 Inch



17. Package SIP3

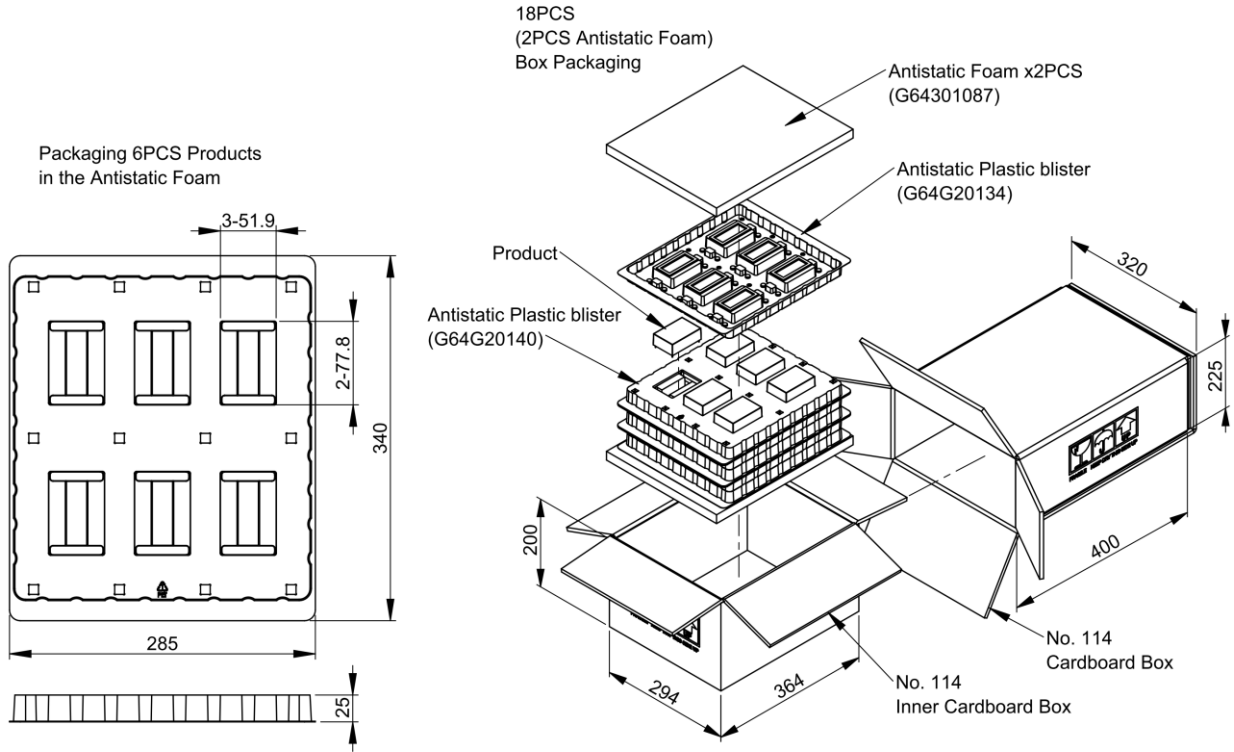
17-1. 0.48x0.34x0.69 Inch





LOW POWER 1-75W DC-DC CONVERTER Packaging Information

18. Package 3.00"x2.00"



19. Package 3.50"x2.50"

