



CFB750-300S Series Application Note V18

ISOLATED DC-DC CONVERTER CFB750 SERIES APPLICATION NOTE



Approved By:

Department	Approved By	Checked By	Written By
Research and Development Department	Jacky	Astray	Joe
Quality Assurance Department	Benny	JoJo	



CFB750-300S Series Application Note V18

Contents

1. Introduction	3
1.1 Sequence Time Chart	3
2. Pin Function Description	4
3. Connection for Standard Use	5
4. Test Set-Up	5
5. Recommend Layout, PCB Footprint and Soldering Information.....	6
6. Features and Functions	6
6.1 UVLO (Under Voltage Lock Out)	6
6.2 Over Current / Short Circuit Protection	6
6.3 Output Over Voltage Protection	6
6.4 Over Temperature Protection.....	7
6.5 Remote On/Off	7
6.6 Output Remote Sensing.....	8
6.7 Output Voltage Adjustment	8
6.8 IOG Signal.....	10
6.9 Auxiliary Power for Output Signal	10
7. Input / Output Considerations	10
7.1 Input Capacitance at the Power Module	10
7.2 Output Ripple and Noise	10
7.3 Output Capacitance	11
8. Series and Parallel Operation	11
8.1 Series Operation	11
8.2 Parallel/Redundant Operation.....	12
9. Thermal Design.....	14
9.1 Operating Temperature Range	14
9.2 Convection Requirements for Cooling	14
9.3 Thermal Considerations	14
9.4 Power Derating	14
9.5 Full Brick Heat Sinks	16
10. Safety & EMC	16
10.1 Input Fusing and Safety Considerations	16
10.2 AC Input EMC Considerations	16
10.3 DC Input EMC Considerations	21



CFB750-300S Series Application Note V18

1. Introduction

The CFB750-300S series of DC-DC converters offers 750 watts of output power @ single output voltages of 12, 15, 24, 28, 36, 48VDC with standard Full-brick. It has a high input voltage range of 200 to 425VDC (300VDC nominal) and 3000VAC isolation.

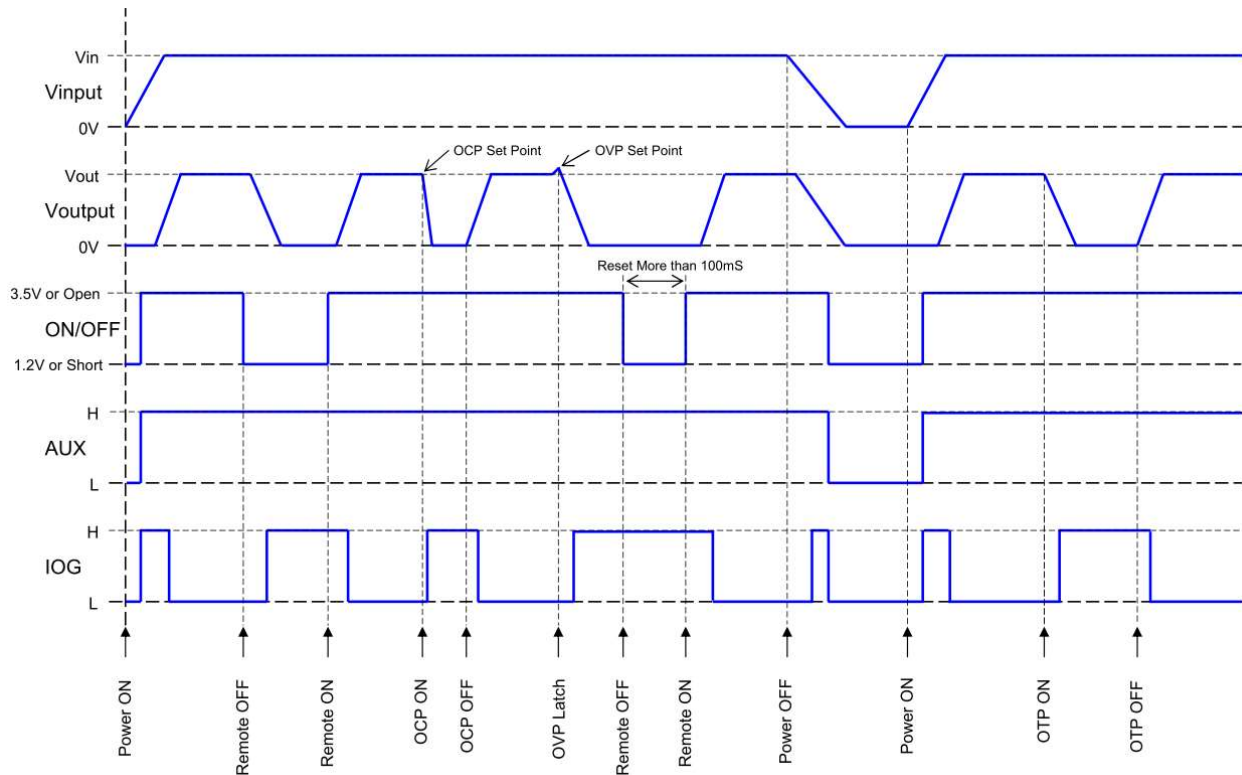
Meets EN62368-1, EN45545-2, High efficiency up to 91%, allowing case operating temperature range of -40°C to 85°C . An optional heat sink is available to extend the full power range of the unit.

The standard control functions include remote on/off (positive or negative) and +10%, -40% adjustable output voltage.

Fully protected against input UVLO (under voltage lock out), output over-current, output over-voltage and over-temperature and continuous short circuit conditions. Parallel operation is also optional.

CFB750-300S series of isolated DC-DC Converters. These are highly efficient, reliable and compact, high power density, single output DC/DC converters. The modules can be used in the field of telecommunications, servers, base station, battery operated equipment, and industrial applications.

1.1 Sequence Time Chart



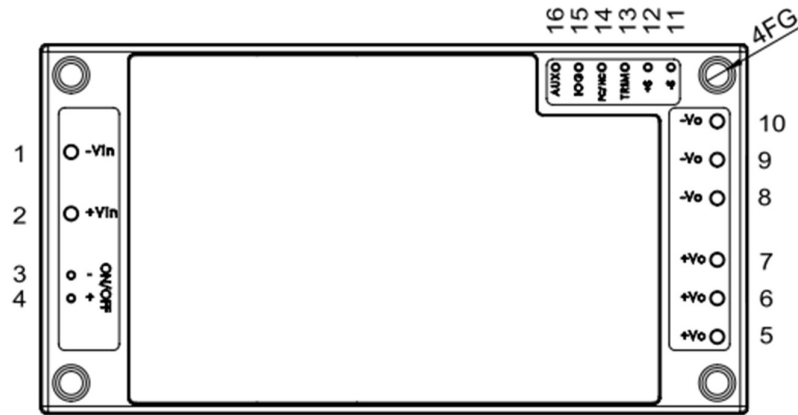
Note:

1. On/Off Control, Positive Remote On/Off Logic, Refer to -Vin Pin
 Module on >3.5Vdc to 75Vdc or Open Circuit
 Module off 0 to <1.2Vdc
2. H Level: 7-13VDC



CFB750-300S Series Application Note V18

2. Pin Function Description



No	Label	Function	Description	Reference
1	-Vin	-V Input	Negative Supply Input	Section 7.1
2	+Vin	+V Input	Positive Supply Input	Section 7.1
3	-ON/OFF	On/Off	External Remote On/Off Control	Section 6.5
4	+ON/OFF	On/Off	External Remote On/Off Control	Section 6.5
5~7	+Vo	+V Output	Positive Power Output	Section 7.2/7.3
8~10	-Vo	-V Output	Negative Power Output	Section 7.2/7.3
11	-S	-Sense	Negative Output Remote Sense	Section 6.6
12	+S	+Sense	Positive Output Remote Sense	Section 6.6
13	Trim	Trim	External Output Voltage Adjustment	Section 6.7
14	PC	Parallel Control	Parallel Operation Control	Section 8.2
15	IOG	IOG	Inverter Operation Good Signal	Section 6.8
16	AUX	Auxiliary Power	Auxiliary Power for Output Signal	Section 6.9
17	--	Mounting Insert	Mounting Insert (FG)	Section 9.5/10.2

Note: Base plate can be connected to FG through M3 threaded mounting insert. Recommended torque 3Kgf-cm.

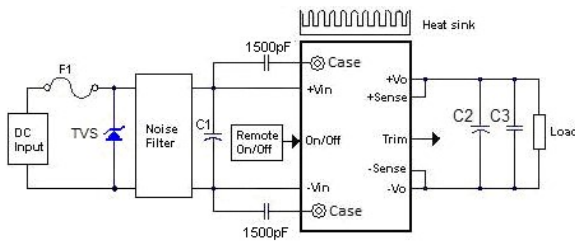


CFB750-300S Series Application Note V18

3. Connection for Standard Use

The connection for standard use is shown below. An external input capacitor (C1) 330uF for all models is recommended to reduce input ripple voltage. External output capacitors (C2, C3) are recommended to reduce output ripple and noise, 1000uF aluminum and 1uF ceramic capacitor.

The CFB750-300S series converters have no internal fuse. In order to achieve maximum safety and system protection, always use an input line fuse. We recommended a 10A fast acting fuse for all models. It is recommended that the circuit have a transient voltage suppressor diode (TVS) across the input terminal to protect the unit against surge or spike voltage and input reverse voltage (as shown).



Symbol	Component	Reference
F1	Input Fuse	Section 10.1
C1	External Capacitor On Input Side	Section 7.1
C2, C3	External Capacitor On The Output Side	Section 7.2/7.3
Noise Filter	External Input Noise Filter	Section 10.2
Remote On/Off	External Remote On/Off Control	Section 6.5
Trim	External Output Voltage Adjustment	Section 6.7
Heat Sink	External Heat Sink	Section 9.2/9.3/9.4/9.5
+Sense/-Sense	--	Section 6.6

Note:

If the impedance of input line is high, C1 capacitance must be more than above. Use more than two recommended capacitor above in parallel when ambient temperature becomes lower than -20°C.

4. Test Set-Up

The basic test set-up to measure parameters such as efficiency and load regulation is shown below. When testing the modules under any transient conditions please ensure that the transient response of the source is sufficient to power the equipment under test. we can calculate:

- Efficiency
- Load regulation and line regulation

The value of efficiency is defined as:

$$\eta = \frac{V_o \times I_o}{V_{in} \times I_{in}} \times 100\%$$

Where:

- V_o is output voltage,
- I_o is output current,
- V_{in} is input voltage,
- I_{in} is input current

The value of load regulation is defined as:

$$Load\ reg. = \frac{V_{FL} - V_{NL}}{V_{NL}} \times 100\%$$

Where:

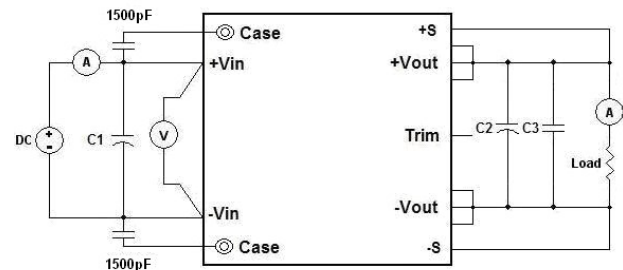
- V_{FL} is the output voltage at full load
- V_{NL} is the output voltage at no load

The value of line regulation is defined as:

$$Line\ reg. = \frac{V_{HL} - V_{LL}}{V_{LL}} \times 100\%$$

Where:

- V_{HL} is the output voltage of maximum input voltage at full load
- V_{LL} is the output voltage of minimum input voltage at full load



CFB750 Series Test Setup

C1: 330uF/450V ESR<0.7Ω

C2: 1000uF aluminum capacitor

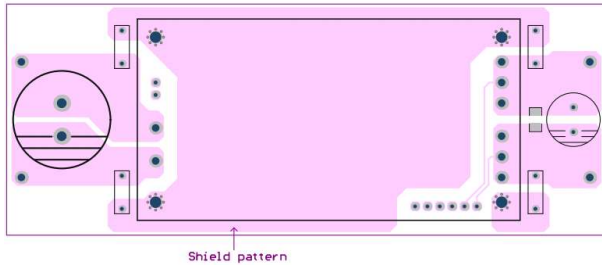
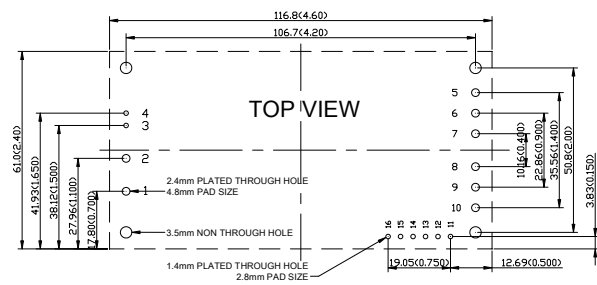
C3: 1uF/ 1210 ceramic capacitor



CFB750-300S Series Application Note V18

5. Recommend Layout, PCB Footprint and Soldering Information

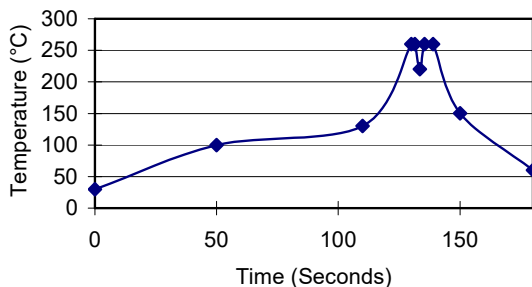
The system designer or end user must ensure that metal and other components in the vicinity of the converter meet the spacing requirements for which the system is approved. Low resistance and inductance PCB layout traces are the norm and should be used where possible. Due consideration must also be given to proper low impedance tracks between power module, input and output grounds.



Clean the soldered side of the module with a brush, prevent liquid from getting into the module. Do not clean by soaking the module into liquid. Do not allow solvent to come in contact with product labels or resin case as this may change the color of the resin case or cause deletion of the letters printed on the product label. After cleaning, dry the modules well.

The suggested soldering iron is 450°C for up to 5seconds (less than 50W). Furthermore the recommended soldering profile and PCB layout are shown below.

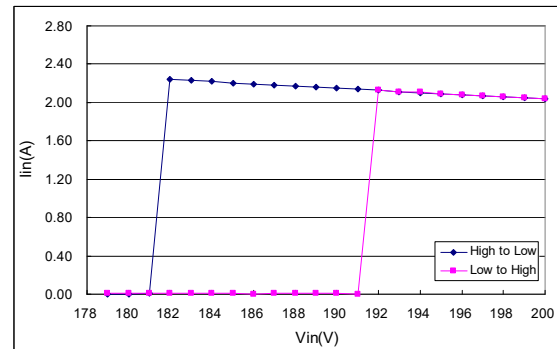
Lead Free Wave Soldering Profile



6. Features and Functions

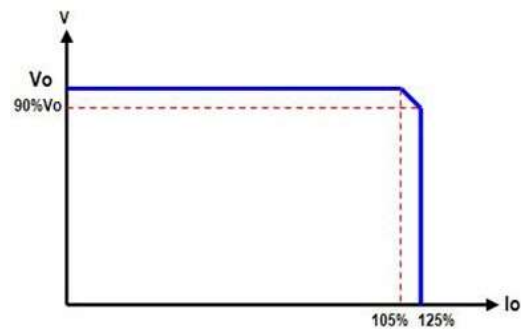
6.1 UVLO (Under Voltage Lock Out)

Input under voltage lockout is standard on the CFB750-300S series unit. The unit will shut down when the input voltage drops below a lower threshold, and the unit will operate when the input voltage goes above the upper threshold.



6.2 Over Current / Short Circuit Protection

The converter is protected against over current or short circuit conditions. At the instance of current-limit inception, the module enters a constant current mode of operation. While the fault condition exists, the module will remain in this constant current mode, and can remain in this mode until the fault is cleared. The unit operates normally once the output current is reduced back into its specified range.



6.3 Output Over Voltage Protection

The output over voltage protection consists of circuitry that internally limits the output voltage. If more accurate output over voltage protection is required then an external circuit can be used via the remote on/off pin.

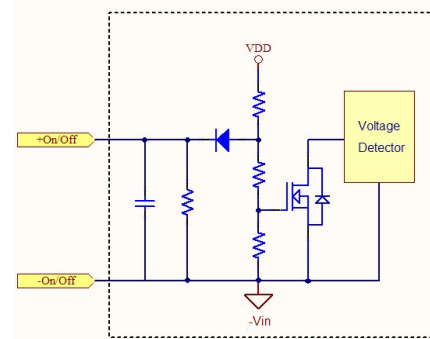
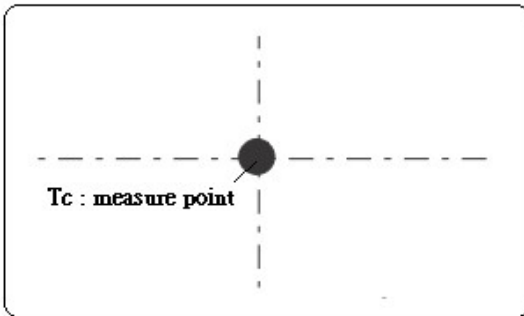
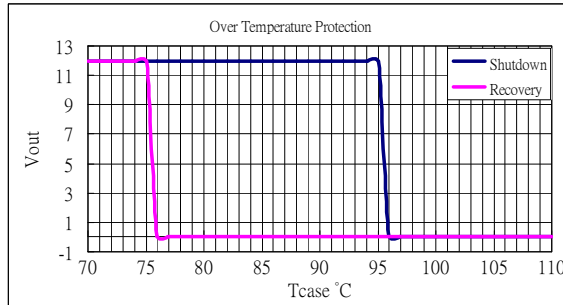
Note: Please note that device inside the power supply might fail when voltage more than rate output voltage is applied to output pin. This could happen when the customer tests the over voltage protection of unit.



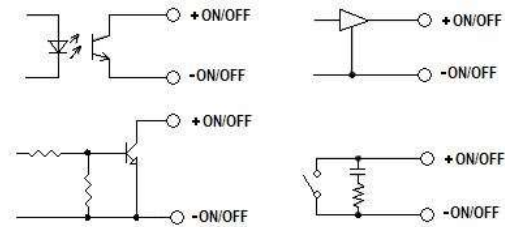
CFB750-300S Series Application Note V18

6.4 Over Temperature Protection

These modules have an over temperature protection circuit to safeguard against thermal damage. Shutdown occurs with the maximum case reference temperature is exceeded. The module will restart when the case temperature falls below over temperature recovery threshold. Please measure case temperature of the center part of aluminum baseplate.



External connection examples see below.



Remote On/Off Connection Example

6.5 Remote On/Off

The CFB750-300S series allows the user to switch the module on and off electronically with the remote on/off feature. All models are available in “positive logic” and “negative logic” (optional) versions. The converter turns on if the remote on/off pin is high (>3.5Vdc to 75Vdc or open circuit). Setting the pin low (0 to <1.2Vdc) will turn the converter off. The signal level of the remote on/off input is defined with respect to ground. If not using the remote on/off pin, leave the pin open (converter will be on). Models with part number suffix “N” are the “negative logic” remote on/off version. The unit turns off if the remote on/off pin is high (>3.5Vdc to 75Vdc or open circuit). The converter turns on if the on/off pin input is low (0 to <1.2Vdc). Note that the converter is off by default.

Logic State (Pin 2)	Negative Logic	Positive Logic
Logic Low – Switch Closed	Module on	Module off
Logic High – Switch Open	Module off	Module on



CFB750-300S Series Application Note V18

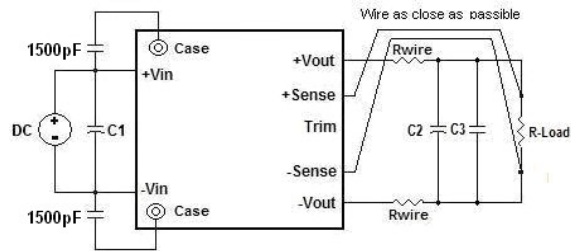
6.6 Output Remote Sensing

The CFB750-300S series converter has the capability to remotely sense both lines of its output. This feature moves the effective output voltage regulation point from the output of the unit to the point of connection of the remote sense pins. This feature automatically adjusts the real output voltage of the CFB750-300S series in order to compensate for voltage drops in distribution and maintain a regulated voltage at the point of load. The remote-sense voltage range is:

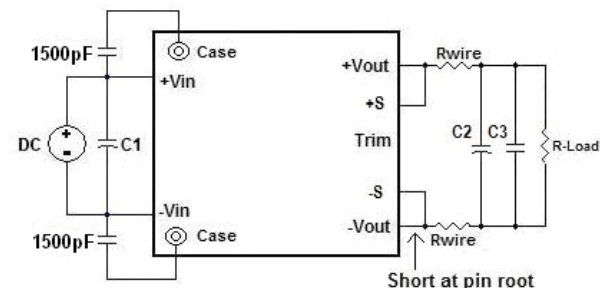
$$[(+V_{out}) - (-V_{out})] - [(+Sense) - (-Sense)] \leq 10\% \text{ of } V_{o_nominal}$$

When remote sense is in use, the sense should be connected by twisted-pair wire or shield wire. If the sensing patterns short, heavy current flows and the pattern may be damaged. Output voltage might become unstable because of impedance of wiring and load condition when length of wire is exceeding 400mm. This is shown in the schematic below.

This is shown in the schematic below.



If the remote sense feature is not to be used, the sense pins should be connected locally. The +Sense pin should be connected to the +Vout pin at the module and the -Sense pin should be connected to the -Vout pin at the module. Wire between +Sense and +Vout and between -Sense and -Vout as short as possible. Loop wiring should be avoided. The converter might become unstable by noise coming from poor wiring. This is shown in the schematic below.

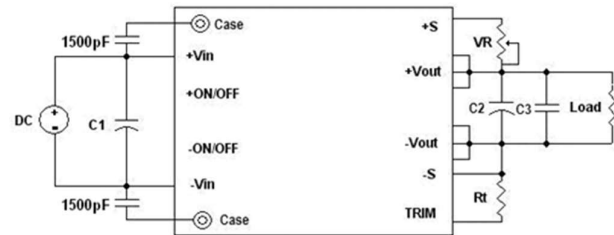


Note:

Although the output voltage can be varied (increased or decreased) by both remote sense and trim, the maximum variation for the output voltage is the larger of the two values not the sum of the values. The output power delivered by the module is defined as the voltage at the output terminals multiplied by the output current. Using remote sense and trim can cause the output voltage to increase and consequently increase the power output of the module if output current remains unchanged. Always ensure that the output power of the module remains at or below the maximum rated power. Also be aware that if V_{o_set} is below nominal value, P_{out_max} will also decrease accordingly because I_{o_max} is an absolute limit. Thus, $P_{out_max} = V_{o_set} \times I_{o_max}$ is also an absolute limit.

6.7 Output Voltage Adjustment

The Trim input permits the user to adjust the output voltage up or down according to the trim range specification (60% to 110% of nominal output). This is accomplished by connecting an external resistor between the +Vout and +Sense pin for trim up and between the TRIM and -Sense pin for trim down, see Figure.



Output voltage trim circuit configuration



CFB750-300S Series Application Note V18

The Trim pin should be left open if trimming is not being used. The output voltage can be determined by the following equations:

$$V_f = \frac{1.24 \times \left(\frac{Rt \times 33}{Rt + 33} \right)}{7.68 + \frac{Rt \times 33}{Rt + 33}}$$

$$V_{out} = (V_o + VR) \times V_f$$

Unit: K Ω

V_o: Nominal Output Voltage

Recommend Rt=6.8K Ω

For example, to trim-up the output voltage of 24V module (CFB750-300S24) by 5% to 25.2V, to trim-down by 20% to 19.2V

The value VR_{trim_up} is calculated as follows:

Rt=6.8K Ω , Vf=0.525V,

$$V_f = \frac{1.24 \times \left(\frac{6.8 \times 33}{6.8 + 33} \right)}{7.68 + \frac{6.8 \times 33}{6.8 + 33}} = 0.525$$

$$25.2 = (24 + VR) \times 0.525, VR = 24K\Omega$$

The value of VR_{trim_down} defined as:

$$19.2 = (24 + VR) \times 0.525, VR = 12.57K\Omega$$

The typical value of VR_{trim_up}

Trim up %	12V	15V	24V	28V	36V	48V
	VR _{trim_up} (K Ω); Rt=6.8 K Ω					
1%	11.09	13.86	22.17	25.87	33.26	44.34
2%	11.31	14.14	22.63	26.40	33.94	45.26
3%	11.54	14.43	23.09	26.93	34.63	46.17
4%	11.77	14.71	23.54	27.47	35.31	47.09
5%	12.00	15.00	24.00	28.00	36.00	48.00
6%	12.23	15.29	24.46	28.53	36.69	48.91
7%	12.46	15.57	24.91	29.07	37.37	49.83
8%	12.69	15.86	25.37	29.60	38.06	50.74
9%	12.91	16.14	25.83	30.13	38.74	51.66
10%	13.14	16.43	26.29	30.67	39.43	52.57

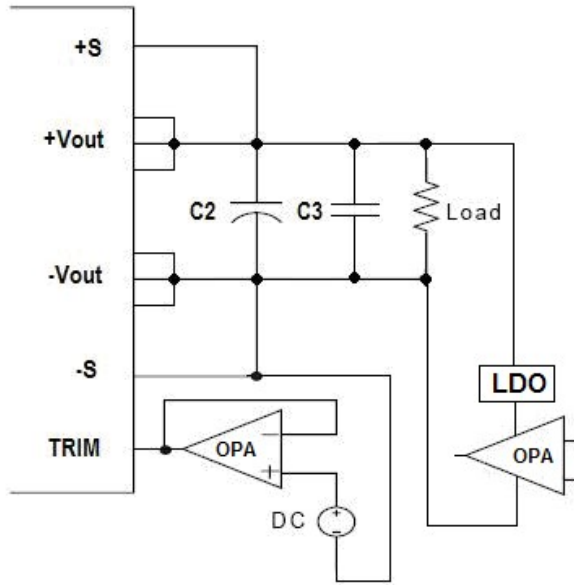
The typical value of VR_{trim_down}

Trim down %	12V	15V	24V	28V	36V	48V
	VR _{trim_down} (K Ω); Rt=6.8 K Ω					
1%	10.63	13.29	21.26	24.80	31.89	42.51
2%	10.40	13.00	20.80	24.27	31.20	41.60
3%	10.17	12.71	20.34	23.73	30.51	40.69
4%	9.943	12.43	19.89	23.20	29.83	39.77
5%	9.714	12.14	19.43	22.67	29.14	38.86
6%	9.486	11.86	18.97	22.13	28.46	37.94
7%	9.257	11.57	18.51	21.60	27.77	37.03
8%	9.029	11.29	18.06	21.07	27.09	36.11
9%	8.800	11.00	17.60	20.53	26.40	35.20
10%	8.571	10.71	17.14	20.00	25.71	34.29
11%	8.343	10.43	16.69	19.47	25.03	33.37
12%	8.114	10.14	16.23	18.93	24.34	32.46
13%	7.886	9.857	15.77	18.40	23.66	31.54
14%	7.657	9.571	15.31	17.87	22.97	30.63
15%	7.429	9.286	14.86	17.33	22.29	29.71
16%	7.200	9.000	14.40	16.80	21.60	28.80
17%	6.971	8.714	13.94	16.27	20.91	27.89
18%	6.743	8.429	13.49	15.73	20.23	26.97
19%	6.514	8.143	13.03	15.20	19.54	26.06
20%	6.286	7.857	12.57	14.67	18.86	25.14
21%	6.057	7.571	12.11	14.13	18.17	24.23
22%	5.829	7.286	11.66	13.60	17.49	23.31
23%	5.600	7.000	11.20	13.07	16.80	22.40
24%	5.371	6.714	10.74	12.53	16.11	21.49
25%	5.143	6.429	10.29	12.00	15.43	20.57
26%	4.914	6.143	9.829	11.47	14.74	19.66
27%	4.686	5.857	9.371	10.93	14.06	18.74
28%	4.457	5.571	8.914	10.40	13.37	17.83
29%	4.229	5.286	8.457	9.867	12.69	16.91
30%	4.000	5.000	8.000	9.333	12.00	16.00
31%	3.771	4.714	7.543	8.800	11.31	15.09
32%	3.543	4.429	7.086	8.267	10.63	14.17
33%	3.314	4.143	6.629	7.733	9.943	13.26
34%	3.086	3.857	6.171	7.200	9.257	12.34
35%	2.857	3.571	5.714	6.667	8.571	11.43
36%	2.629	3.286	5.257	6.133	7.886	10.51
37%	2.400	3.000	4.800	5.600	7.200	9.600
38%	2.171	2.714	4.343	5.067	6.514	8.686
39%	1.943	2.429	3.886	4.533	5.829	7.771
40%	1.714	2.143	3.429	4.000	5.143	6.857



CFB750-300S Series Application Note V18

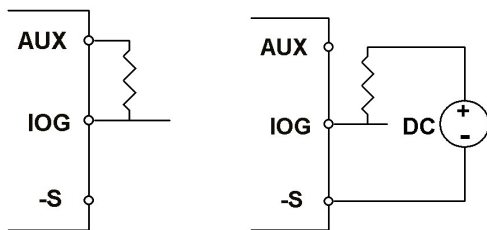
The output voltage can also be adjusted by using external DC voltage.



Output Voltage = Trim Terminal Voltage * Nominal Output Voltage

6.8 IOG Signal

Normal and abnormal operation of the converter can be monitored by using the I.O.G signal. Output of this signal monitor is located at the secondary side and is open collector output, you can use the signal by the internal aux power supply or the external DC supply as the following figures. the ground reference is the **-sense**.



By internal AUX

By external DC supply

This signal is **low** when the converter is normally operating and **high** when the converter is disabled or when the converter is abnormally operating.

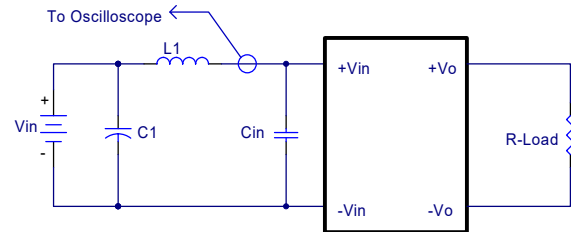
6.9 Auxiliary Power for Output Signal

The auxiliary power supply output is within 7-13V with maximum current of 20 mA. Ground reference is the **-sense** pin.

7. Input / Output Considerations

7.1 Input Capacitance at the Power Module

The converters must be connected to low AC source impedance. To avoid problems with loop stability source inductance should be low. Also, the input capacitors (Cin) should be placed close to the converter input pins to decouple distribution inductance. However, the external input capacitors are chosen for suitable ripple handling capability. Low ESR capacitors are good choice. Circuit as shown as below represents typical measurement methods for reflected ripple current. C1 and L1 simulate a typical DC source impedance. The input reflected-ripple current is measured by current probe to oscilloscope with a simulated source Inductance (L1).

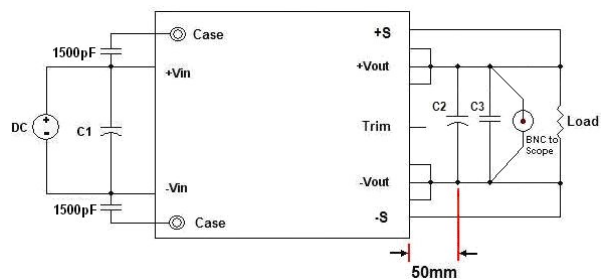


L1: 12uH

C1: 330uF ESR<0.7ohm @100KHz

Cin: 330uF ESR<0.7ohm @100KHz

7.2 Output Ripple and Noise



Output ripple and noise measured with 1000uF aluminum and 1uF ceramic capacitor across output. A 20 MHz bandwidth oscilloscope is normally used for the measurement.

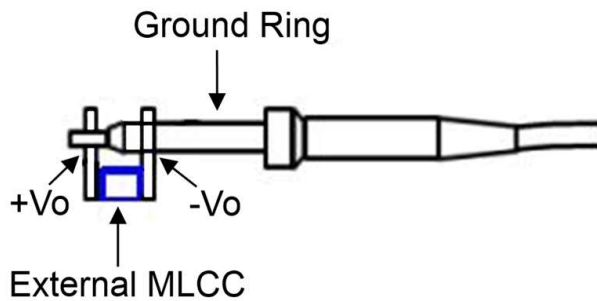
The conventional ground clip on an oscilloscope probe should never be used in this kind of measurement. This clip, when placed in a field of radiated high frequency energy, acts as an antenna or inductive pickup loop, creating an extraneous voltage that is not part of the output noise of the converter.



CFB750-300S Series Application Note V18



Another method is shown in below, in case of coaxial-cable/BNC is not available. The noise pickup is eliminated by pressing scope probe ground ring directly against the -Vout terminal while the tip contacts the +Vout terminal. This makes the shortest possible connection across the output terminals.



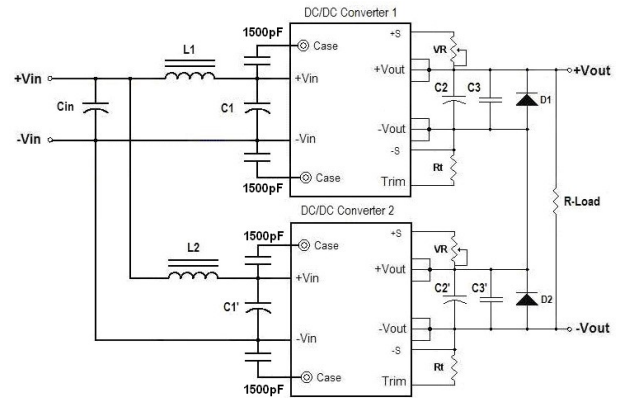
7.3 Output Capacitance

The CFB750-300S series converters provide unconditional stability with or without external capacitors. For good transient response, low ESR output capacitors should be located close to the point of load (<100mm). PCB design emphasizes low resistance and inductance tracks in consideration of high current applications. Output capacitors with their associated ESR values have an impact on loop stability and bandwidth. Cincon's converters are designed to work with load capacitance to see technical specifications.

8. Series and Parallel Operation

8.1 Series Operation

Series operation is possible by connecting the outputs two or more units. Connection is shown in below. The output current in series connection should be lower than the lowest rate current in each power module



Simple Series Operation Connect Circuit

L1, L2: 1.0uH

Cin, C1, C1': 330uF/450V ESR<0.7Ω

C2, C2': 1000uF

C3, C3': 1uF MLCC

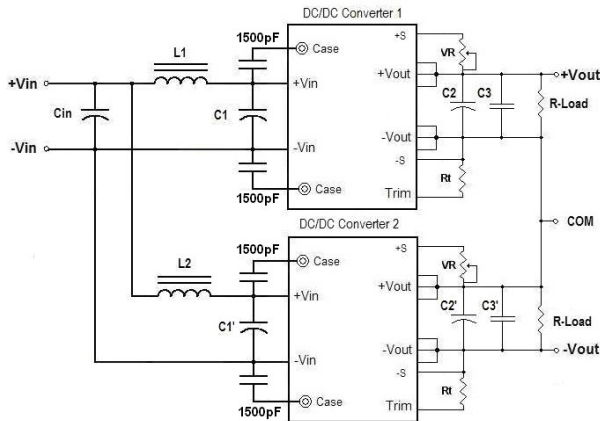
Note:

1. If the impedance of input line is high, Cin, C1 capacitance must be more than above. Use more than two recommended capacitor above in parallel when ambient temperature becomes lower than -20°C.
2. Recommend Schottky diode (D1, D2) be connected across the output of each series connected converter, so that if one converter shuts down for any reason, then the output stage won't be thermally overstressed. Without this external diode, the output stage of the shut-down converter could carry the load current provided by the other series converters, with its MOSFETs conducting through the body diodes. The MOSFETs could then be overstressed and fail. The external diode should be capable of handling the full load current for as long as the application is expected to run with any unit shut down.



CFB750-300S Series Application Note V18

Series for \pm output operation is possible by connecting the outputs two units, as shown in the schematic below.



Simple \pm Output Operation Connect Circuit

L1, L2: 1.0uH

Cin, C1, C1': 330uF/450V ESR<0.7Ω

C2, C2': 1000uF

C3, C3': 1uF MLCC

Note:

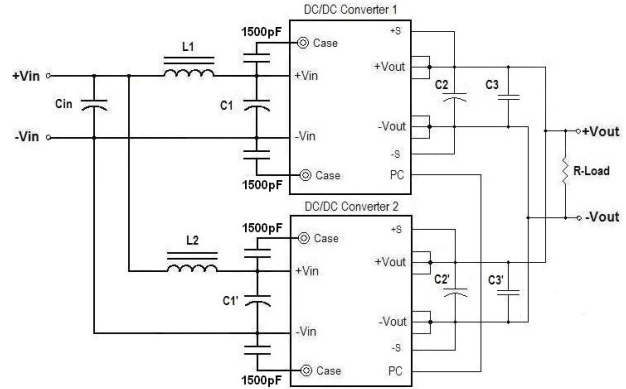
If the impedance of input line is high, Cin, C1 capacitance must be more than above. Use more than two recommended capacitor above in parallel when ambient temperature becomes lower than -20°C.

8.2 Parallel/Redundant Operation

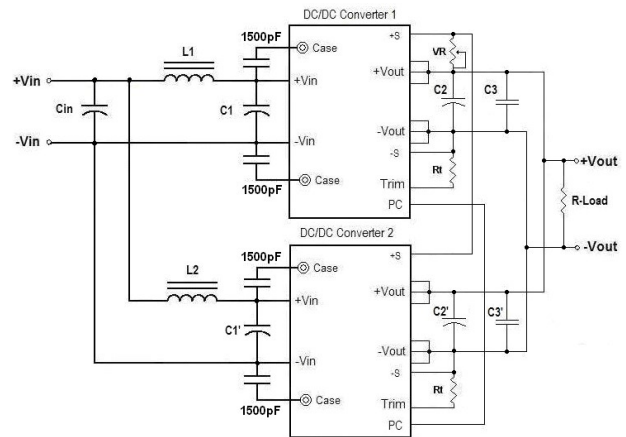
The CFB750-300S series are also designed for parallel operation. When paralleled, the load current can be equally shared between the modules by connecting the PC pins together.

There are two different parallel operations for CFB750-300S series, one is parallel operation when load can't be supplied by only one power unit; the other is the N+1 redundant operation which is high reliable for load of N units by using N+1 units.

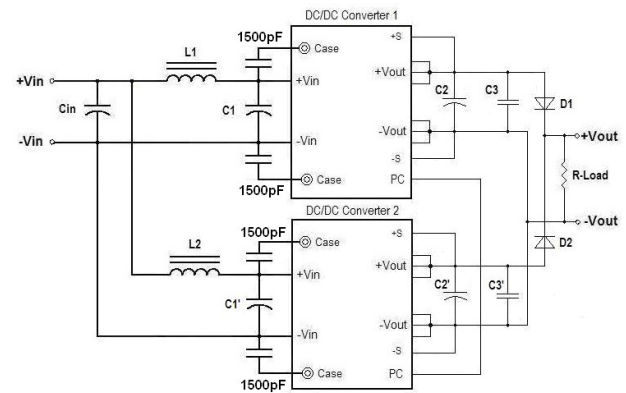
(a) parallel operation



(b) Parallel operation with programmed and adjustable output



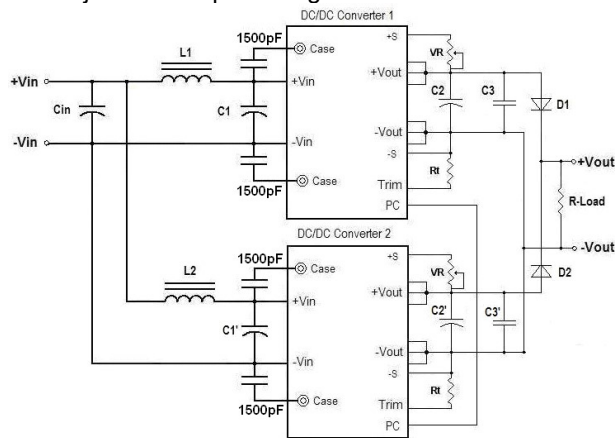
(c) N+1 redundant connection





CFB750-300S Series Application Note V18

(d) N+1 redundant connection with programmed output and adjustable output voltage



L1, L2: 1.0uH

Cin, C1, C1': 330uF/450V ESR<0.7Ω

C2, C2': 1000uF

C3, C3': 1uF MLCC

Note:

If the impedance of input line is high, Cin, C1 capacitance must be more than above. Use more than two recommended capacitor above in parallel when ambient temperature becomes lower than -20°C.



CFB750-300S Series Application Note V18

9. Thermal Design

9.1 Operating Temperature Range

The CFB750-300S series converters can be operated within a wide case temperature range of -40°C to 85°C. Consideration must be given to the derating curves when ascertaining maximum power that can be drawn from the converter. The maximum power drawn from open full brick models is influenced by usual factors, such as:

- Input voltage range
- Output load current
- Forced air or natural convection
- Heat sink optional

9.2 Convection Requirements for Cooling

To predict the approximate cooling needed for the full brick module, refer to the power derating curves in **section 9.4**. These derating curves are approximations of the ambient temperatures and airflows required to keep the power module temperature below its maximum rating. Once the module is assembled in the actual system, the module's temperature should be monitored to ensure it does not exceed 85°C as measured at the center of the top of the case (thus verifying proper cooling).

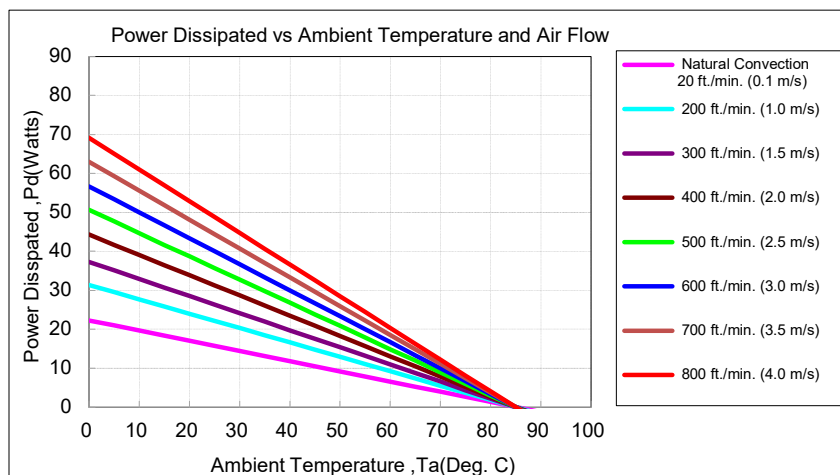
9.3 Thermal Considerations

The power module operates in a variety of thermal environments; however, sufficient cooling should be provided to help ensure reliable operation of the unit. Heat is removed by conduction, convection, and radiation to the surrounding environment. The example is presented in **section 9.4**. The power output of the module should not be allowed to exceed rated power ($V_{o_set} \times I_{o_max}$).

9.4 Power Derating

The operating case temperature range of CFB750-300S series is -40°C to +85°C. When operating the CFB750-300S series, proper derating or cooling is needed. The maximum case temperature under any operating condition should not exceed 85°C.

The following curve is the de-rating curve of CFB750-300S series without heat sink.



AIR FLOW RATE	TYPICAL R_{ca}
Natural Convection 20ft./min. (0.1m/s)	3.82 °C/W
200 ft./min. (1.0m/s)	2.71 °C/W
300 ft./min. (1.5m/s)	2.28 °C/W
400 ft./min. (2.0m/s)	1.92 °C/W
500 ft./min. (2.5m/s)	1.68 °C/W
600 ft./min. (2.5m/s)	1.50 °C/W
700 ft./min. (2.5m/s)	1.35 °C/W
800 ft./min. (2.5m/s)	1.23 °C/W



CFB750-300S Series Application Note V18

Example:

What is the minimum airflow necessary for a CFB750-300S48 operating at nominal line voltage, an output current of 10A and a maximum ambient temperature of 25°C?

Solution:

Given: $V_{in}=300V_{dc}$, $V_o=48V_{dc}$, $I_o=10A$

Determine Power dissipation (P_d): $P_d=P_i-P_o=P_o(1-\eta)/\eta$, $P_d=48 \times 10 \times (1-0.91)/0.91 = 47.47Watts$

Determine airflow: Given: $P_d= 47.47W$ and $T_a=25^\circ C$

Check Power Derating curve: Minimum airflow=800 ft./min.

Verify:

Maximum temperature rise is $\Delta T = P_d \times R_{ca} = 47.47 \times 1.23 = 58.38^\circ C$

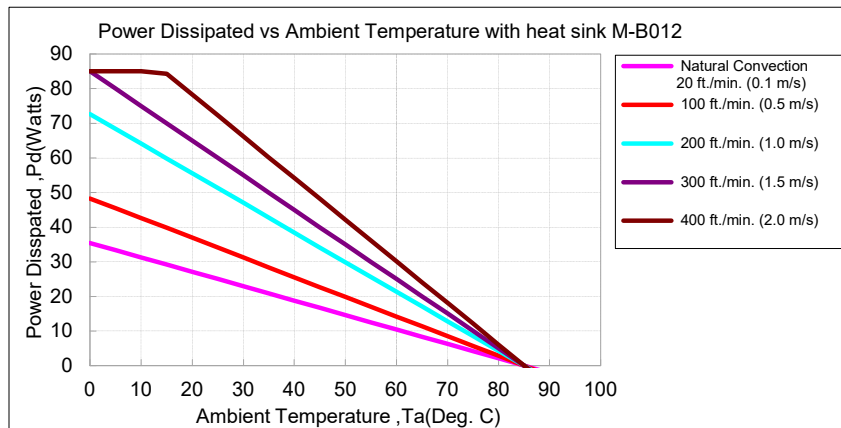
Maximum case temperature is $T_c = T_a + \Delta T = 83.38^\circ C < 85^\circ C$

Where:

The R_{ca} is thermal resistance from case to ambient environment.

T_a is ambient temperature and T_c is case temperature.

The following curve is the de-rating curve of CFB750-300S series with heat sink FBL254 (M-B012).



AIR FLOW RATE	TYPICAL R_{ca}
Natural Convection 20ft./min. (0.1m/s)	2.4 °C/W
100 ft./min. (0.5m/s)	1.76 °C/W
200 ft./min. (1.0m/s)	1.17 °C/W
300 ft./min. (1.5m/s)	1.00 °C/W
400 ft./min. (2.0m/s)	0.83 °C/W

Example with heat sink FBL254 (M-B012):

What is the minimum airflow necessary for a CFB750-300S48 operating at nominal line voltage, an output current of 15.6A and a maximum ambient temperature of 20°C?

Solution:

Given: $V_{in}=300V_{dc}$, $V_o=48V_{dc}$, $I_o=15.6A$

Determine Power dissipation (P_d): $P_d=P_i-P_o=P_o(1-\eta)/\eta$, $P_d=48 \times 15.6 \times (1-0.91)/0.91 = 74.1Watts$

Determine airflow: Given: $P_d=74.1W$ and $T_a=20^\circ C$

Check above Power de-rating curve: Minimum airflow=400 ft./min

Verify:

Maximum temperature rise is $\Delta T = P_d \times R_{ca} = 74.1 \times 0.83 = 61.5^\circ C$

Maximum case temperature is $T_c = T_a + \Delta T = 81.5^\circ C < 85^\circ C$

Where:

The R_{ca} is thermal resistance from case to ambient environment.

T_a is ambient temperature and T_c is case temperature.



CFB750-300S Series Application Note V18

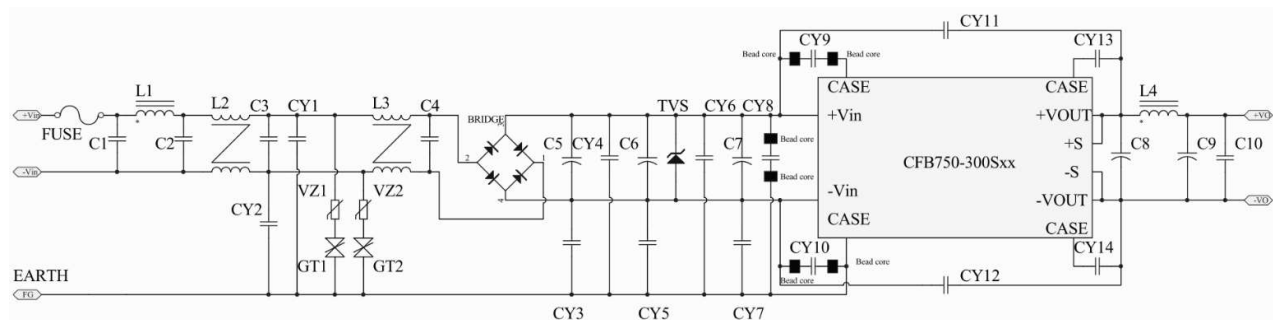
9.5 Full Brick Heat Sinks

Heat sinks assembly [refer to Datasheet-Thermal](#)

10. Safety & EMC

10.1 Input Fusing and Safety Considerations

The CFB750-300S series converters have no internal fuse. In order to achieve maximum safety and system protection, always use an input line fuse. We recommended a 10A time delay fuse for all models. It is recommended that the circuit have a transient voltage suppressor diode (TVS) across the input terminal to protect the unit against surge or spike voltage and input reverse voltage (as shown).



The external circuit is required if CFB750-300SXX series has to meet EN61000-4-4, EN61000-4-5.

The CFB750-300SXX recommended components are shown below.

C5, C6, C7: 330uF/450V aluminum capacitor (Nippon Chemi-Con KMR series).

VZ1, VZ2: TVR10471KSV TKS

GT1, GT2: B5G3000 BENCENT

TVS: SMCJ440A

10.2 AC Input EMC Considerations

EMI Test standard: EN55022/EN55032 Class A Conducted Emission.

Test Condition: Input Voltage: Nominal, Output Load: Full Load

(1) Suggested Circuits for Conducted EMI meet EN55022/EN55032 Class A.

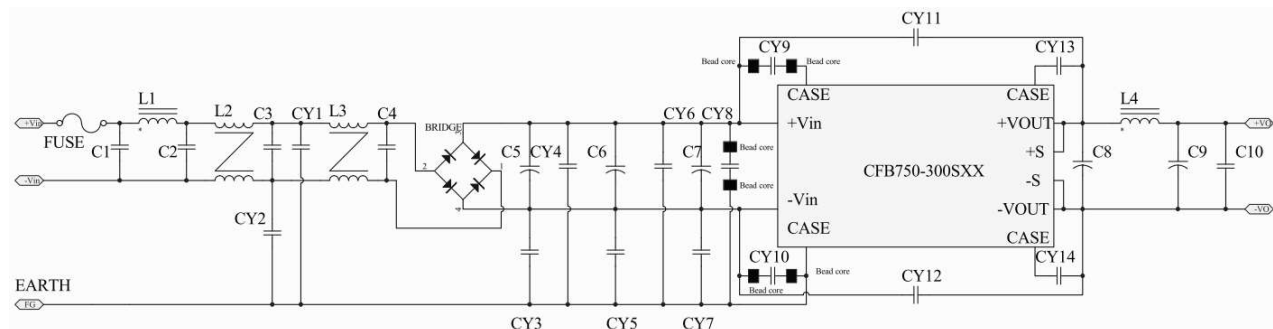
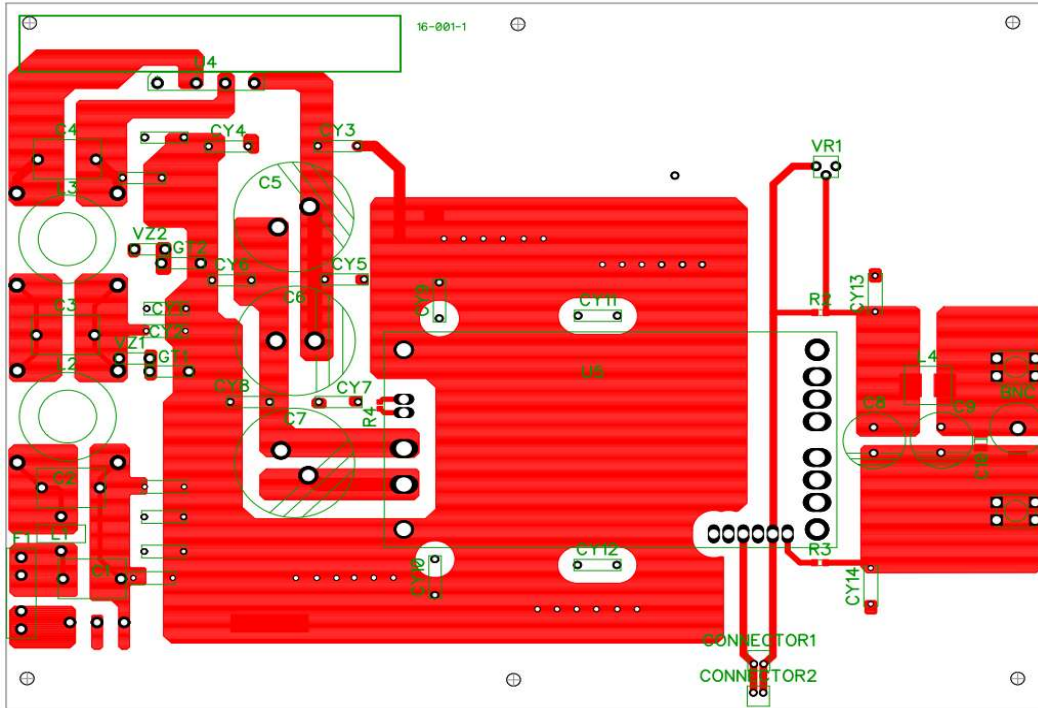


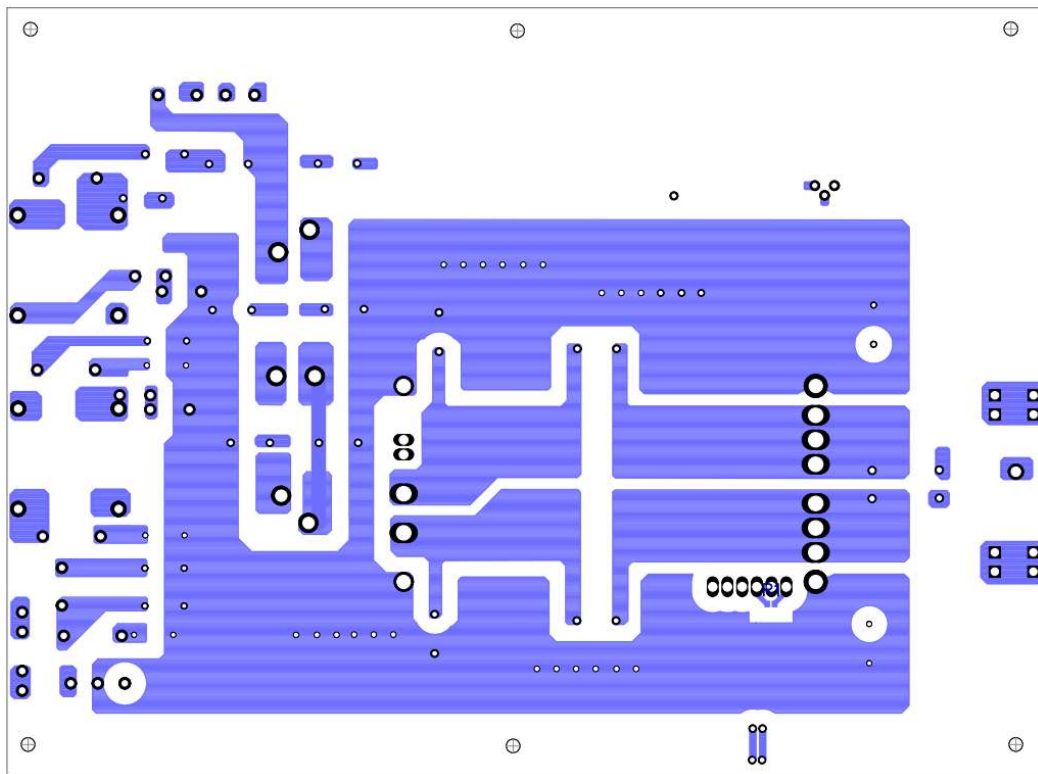
Figure1 Connection circuit



CFB750-300S Series Application Note V18



EMI test board bottom side



EMI test board top side



CFB750-300S Series Application Note V18

Components value:

	Model Number					
	CFB750-300S12	CFB750-300S15	CFB750-300S24	CFB750-300S28	CFB750-300S36	CFB750-300S48
C1	0.68uF					
C2						
C3						
C4						
C5	330uF					
C6						
C7						
C8	820uF					
C9						
C10	1uF					
CY1	2200pF					
CY2						
CY5	330pF					
CY6	100pF					
CY7	220pF					
CY8	100pF					
CY9	2200pF					
CY10						
CY11	150 pF	NC				
CY12	100 pF	NC				
CY13	0.022uF					
CY14						
L1	Short					
L2	CMK-02 CINCON					
L3	CMK-02 CINCON					
L4	Short					
Bead Core	CY8, CY9, CY10					
Common Mode Choke Link					COMMON MODE CHOKE	

Note:

C1, C2, C3, C4 X2 capacitors, C5, C6, C7, C8, C9 aluminum capacitors, CY1, CY2, CY5, CY6, CY8, CY9, CY10, CY11, CY12, C10, ceramic capacitors, CY13, CY14 X2 capacitors
 C1, C2, C3, C4: 0.68uF/305VAC (FARATRONIC MKP62 Series C42Q2684M6HC000) or equivalent.
 C5, C6, C7: 330uF/450V (NIPPON CHEMI-CON KMR Series EKMR451VSN331MR35S) or equivalent.
 C8, C9: 820uF/63V (Rubycon ZLH Series 63ZLH820MEFC16X25) or equivalent.
 C10: 1uF/100V (TDK CGA Series CGA8N2X7R2A105K230KA) or equivalent.
 CY1, CY2, CY9, CY10: 2200pF (CD Series TDK) or equivalent.
 CY5: 330pF (CD Series TDK) or equivalent.
 CY6, CY8, CY12: 100pF (CD Series TDK) or equivalent.
 CY7: 220pF (CD Series TDK) or equivalent.
 CY11: 150pF (CD Series TDK) or equivalent.
 CY13, CY14: 0.022uF/275VAC MPX Series CARLI or equivalent.
 L2, L3: CMK-02 CINCON
 Bead Core: A6B T 4*1.5*2 KING CORE (or BRI 4.0*1.5*2.0mm CHILISIN) or equivalent FOR CY8, A6B T 3.5*3*1.2mm KING CORE (BRH3.5*3.2*1.2mm CHILISIN) or equivalent for CY9, CY10

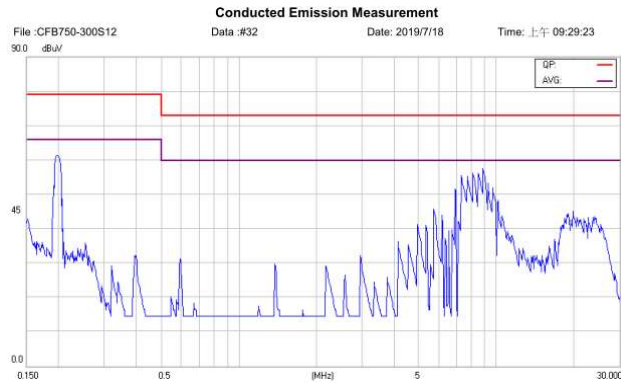


CFB750-300S Series Application Note V18

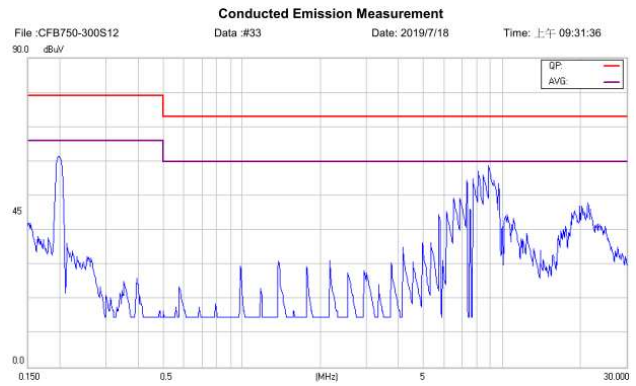
Conducted Emission Class A:

CFB750-300S12

Line

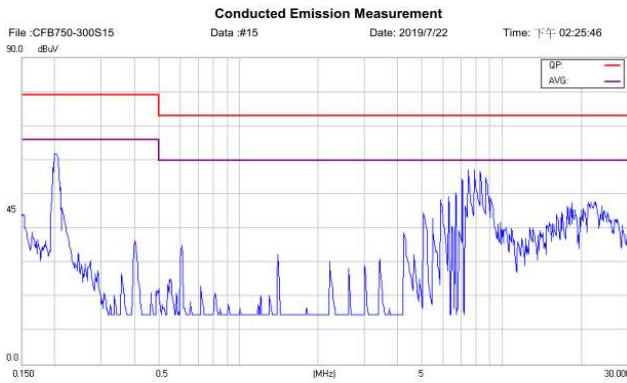


Nature

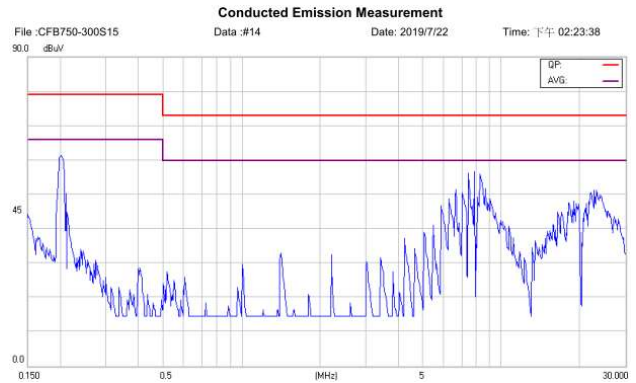


CFB750-300S15

Line

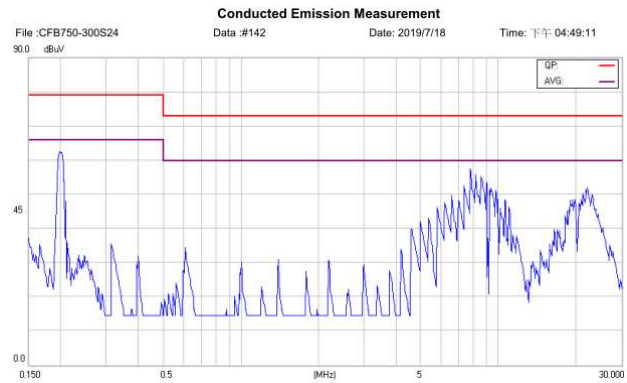


Nature

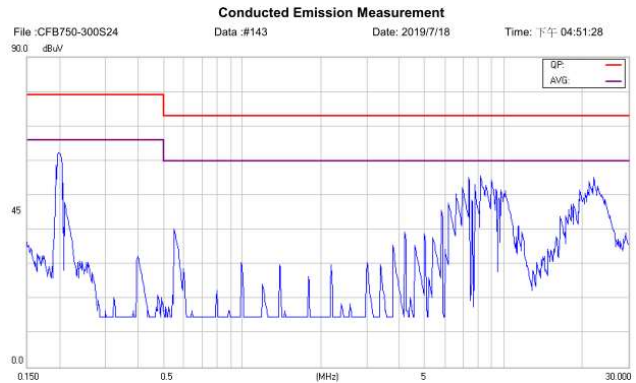


CFB750-300S24

Line



Nature

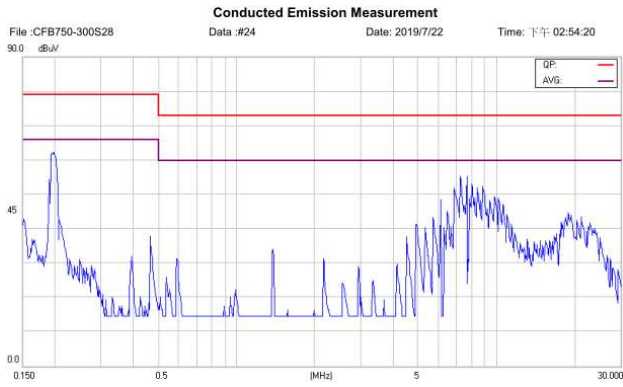




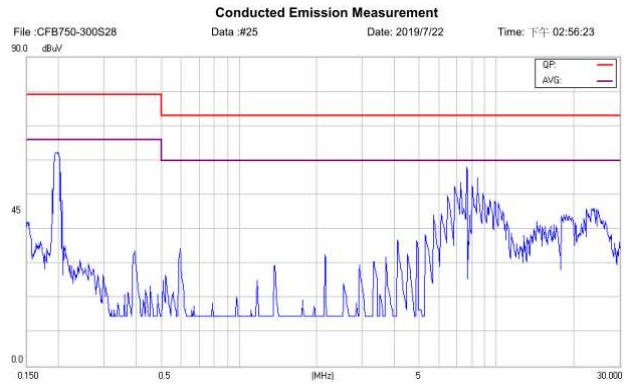
CFB750-300S Series Application Note V18

CFB750-300S28

Line

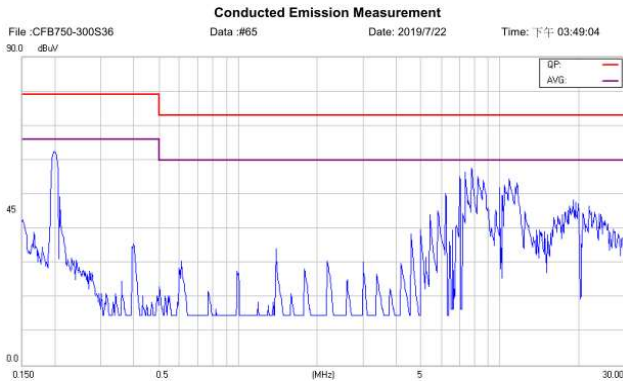


Nature

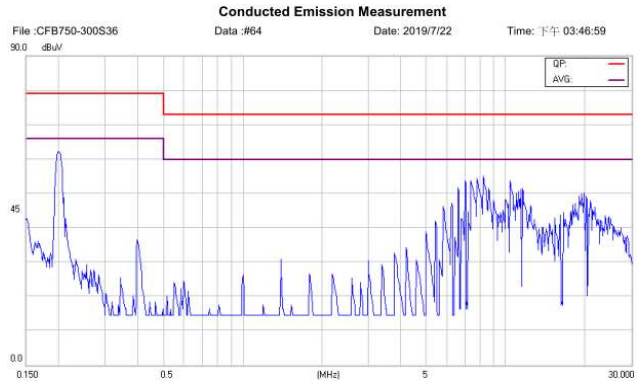


CFB750-300S36

Line

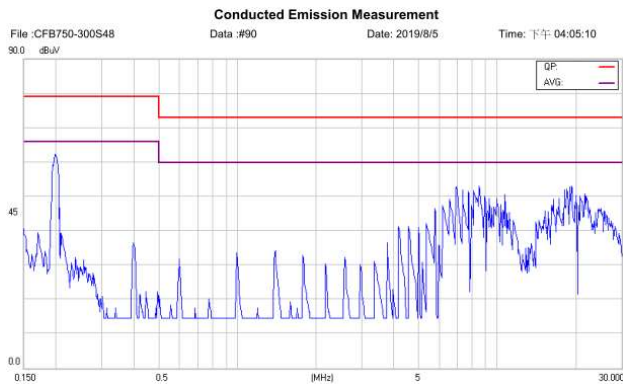


Nature

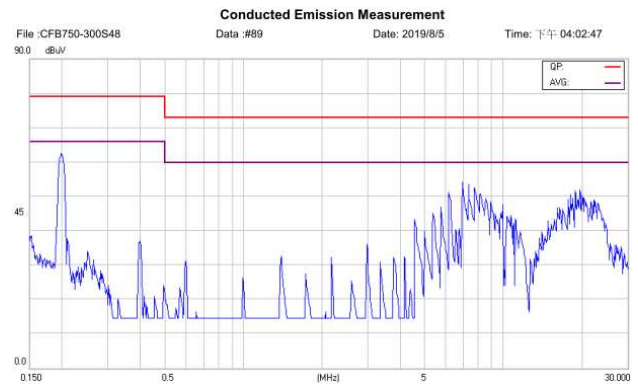


CFB750-300S48

Line



Nature





CFB750-300S Series Application Note V18

10.3 DC Input EMC Considerations

EMI Test standard: EN55022/EN55032 Class A Conducted Emission

Test Condition: Input Voltage: Nominal, Output Load: Full Load

(1) EMI and conducted noise meet EN55022/EN55032 Class A:

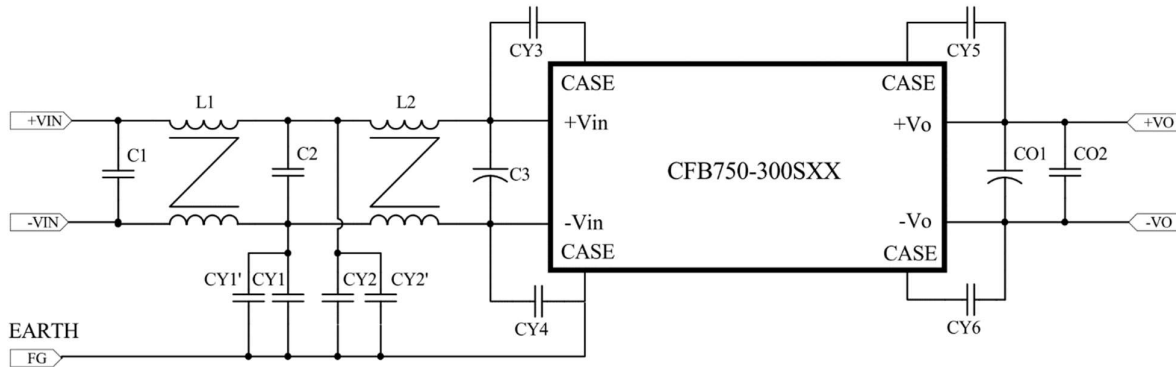
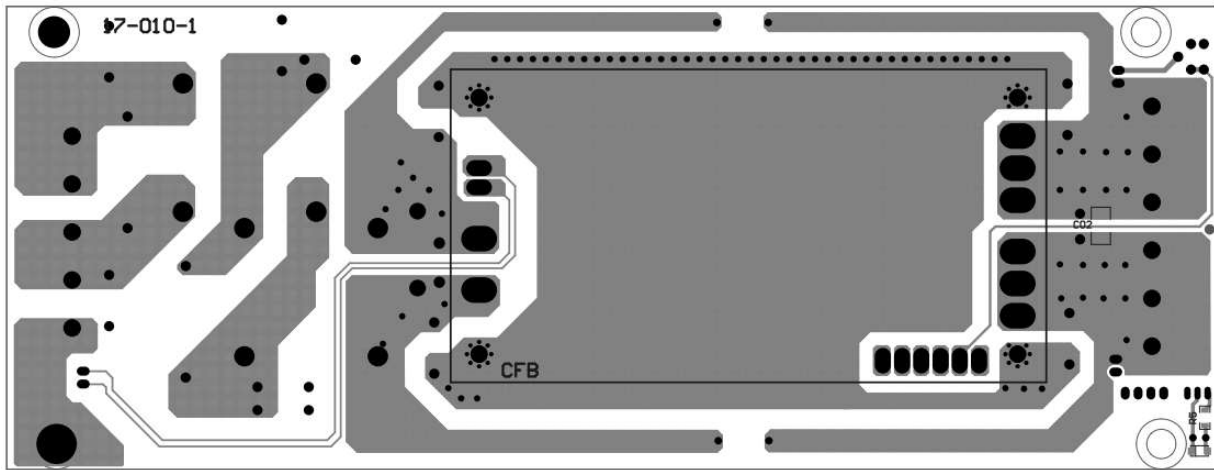
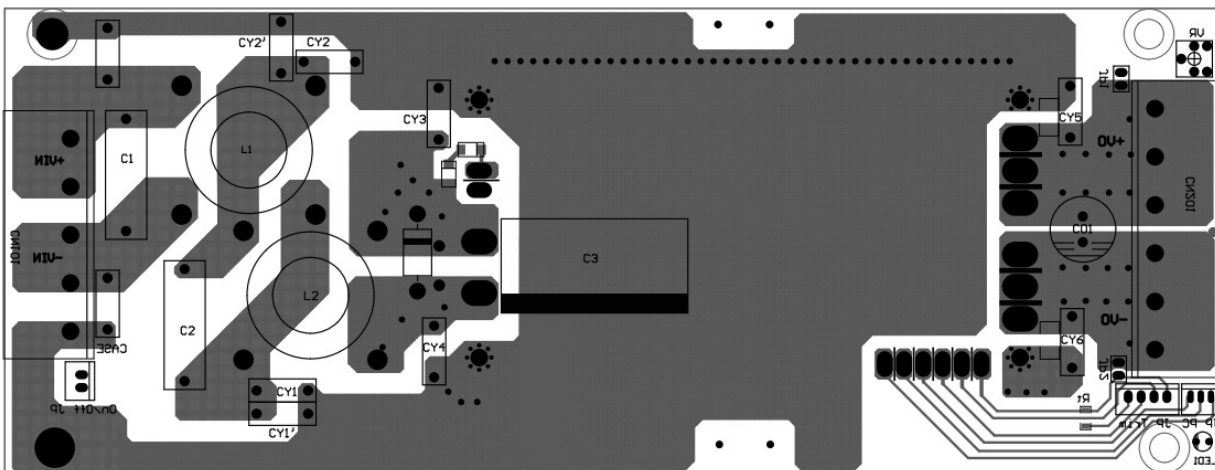


Figure2 Connection circuit for conducted EMI Class A testing



EMI test board top side



EMI test board bottom side



CFB750-300S Series Application Note V18

Components value:

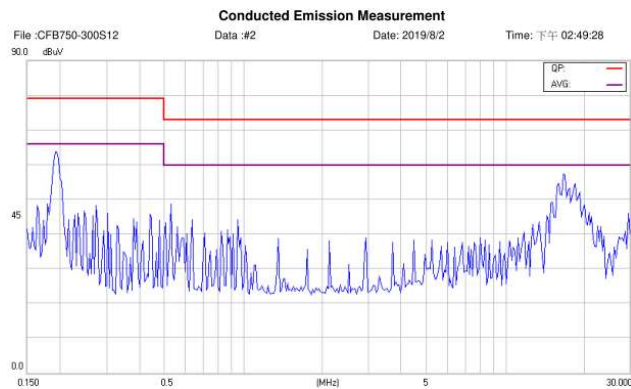
	Model Number					
	CFB750-300S12	CFB750-300S15	CFB750-300S24	CFB750-300S28	CFB750-300S36	CFB750-300S48
C1	0.68uF					
C2	0.68uF					
C3	150uF					
Co1	820uF					
Co2	1uF					
CY1	2200pF					
CY1'	470pF					
CY2	2200pF					
CY2'	470pF					
CY3	2200pF					
CY4	2200pF					
CY5	0.022uF					
CY6	0.022uF					
L1	CMK-02 CINCON					
L2	CMK-02 CINCON					
Common Mode Choke Link					COMMON MODE CHOKE	

Note:

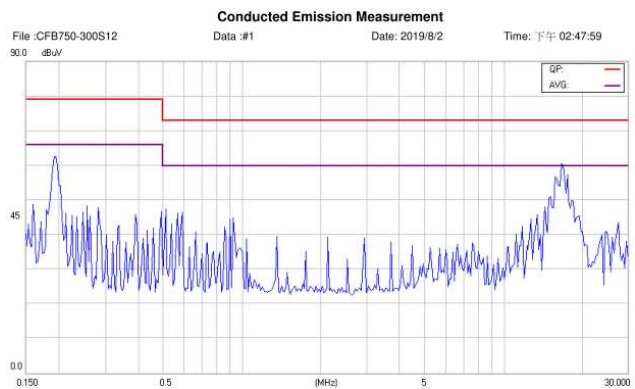
C1, C2, CY5, CY6: X2 capacitors, C3, Co1: aluminum capacitors, CY1, CY1', CY2, CY2', CY3, CY4, Co2 ceramic capacitors
 C1, C2: 0.68uF/305VAC MKP Series HJC or equivalent.
 C3: 150uF/450V (NIPPON CHEMI-CON KXG Series EKXG451ELL151MM45S) or equivalent.
 Co1: 820uF/63V (Rubycon ZLH Series 63ZLH820MEFC16X25) or equivalent.
 Co2: 1uF/100V (TDK CGA Series CGA8N2X7R2A105K230KA) or equivalent.
 CY1, CY2, CY3, CY4: 2200pF CD Series TDK or equivalent.
 CY1', CY2': 470pF CD Series TDK or equivalent.
 CY5, CY6: 0.022uF/275VAC MPX Series CARLI or equivalent.
 L1, L2: CMK-02 CINCON

CFB750-300S12

Line



Nature

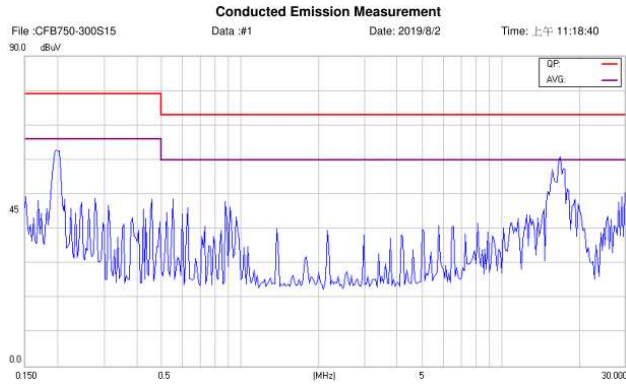




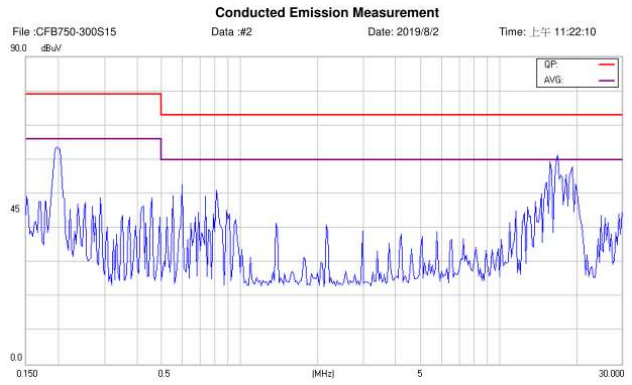
CFB750-300S Series Application Note V18

CFB750-300S15

Line

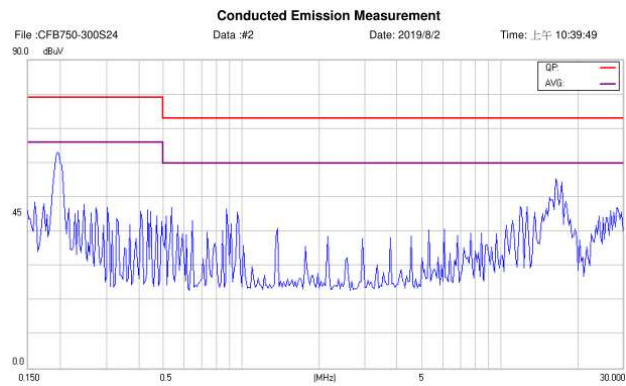


Nature

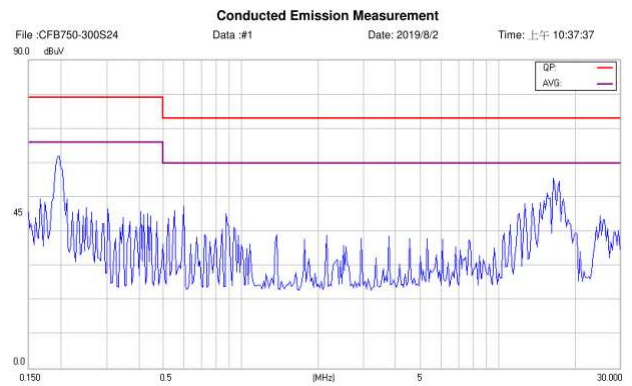


CFB750-300S24

Line

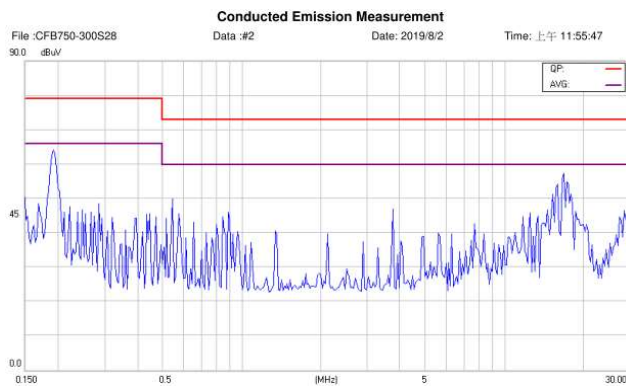


Nature

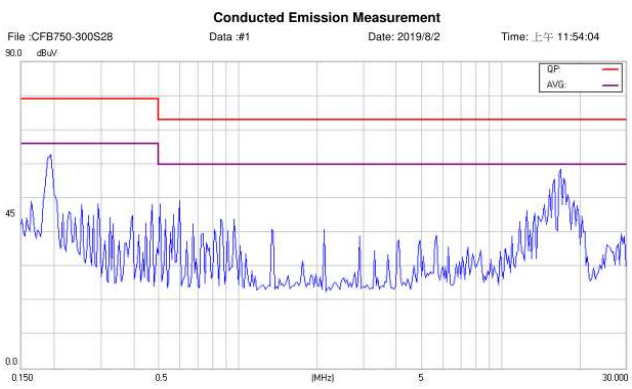


CFB750-300S28

Line



Nature

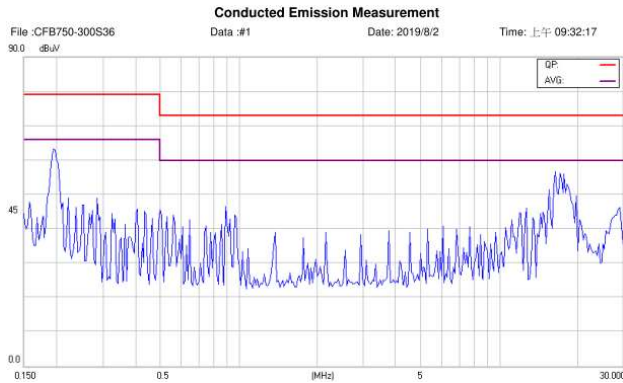




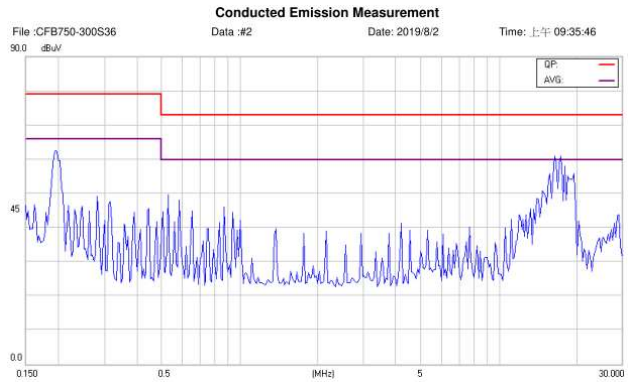
CFB750-300S Series Application Note V18

CFB750-300S36

Line

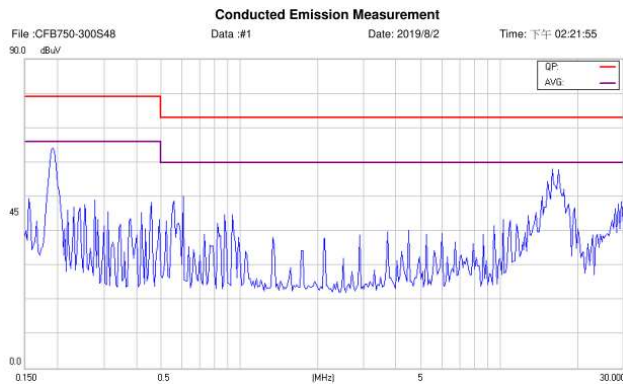


Nature

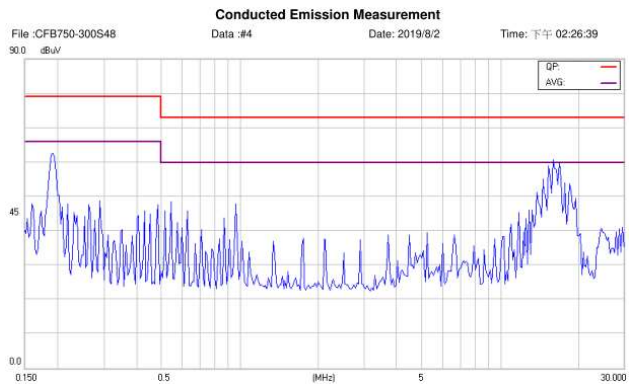


CFB750-300S48

Line



Nature



Headquarters:

14F, No.306, Sec.4, Hsin Yi Rd.
Taipei, Taiwan
Tel: 886-2-27086210
Fax: 886-2-27029852
E-mail: sales@cincon.com.tw
Web Site: <https://www.cincon.com>

CINCON ELECTRONICS CO., LTD.

Factory:

No. 8-1, Fu Kung Rd.
Fu Hsing Industrial Park
Fu Hsing Hsiang,
ChangHua Hsien, Taiwan
Tel: 886-4-7690261
Fax: 886-4-7698031

Cincon North America:

1655Mesa Verde Ave. Ste 180
Ventura, CA93003
Tel: 805-639-3350
Fax: 805-639-4101
E-mail: info@cincon.com