



# PDM PWM Dimming Module

## Features

- \* For Digital Dimming Systems
- \* PWM Mode Output
- \* Suitable for Constant-Voltage LED Modules
- \* Over Current Protection
- \* Digital Dimming 1-100%

## Specification

### INPUT SPECIFICATIONS

Input Voltage Range: 10 – 50Vdc

Input Current: 5A max.

### OUTPUT SPECIFICATIONS

Output Voltage: Output < Input Voltage

Output Current Range: 0.35 – 5A

Short Circuit Protection: Latch

### GENERAL SPECIFICATIONS

PWM Frequency: 1KHz

Dimming Range: 1-100%

Dimming Interface Meets IEC62386 part 102, 207 ver.1

Operating Temperature: -20 – 50°C

### SAFETY AND EMISSIONS

Meet IEC 62386-101, 102, 207

Meet IEC 55015 class B

### MECHANICAL CHARACTERISTICS

Case Material: SABIC 940(f1)

Dimensions: 52.1x34.0x16.4mm

Weight: 36g

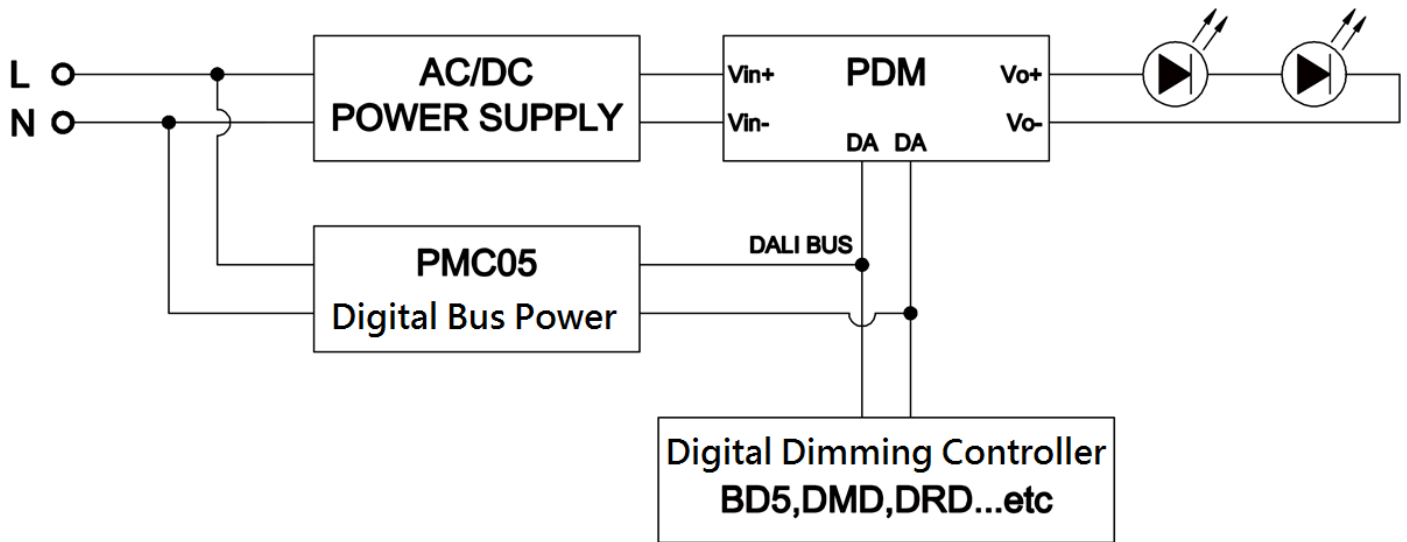
\*Digital Dimming LED driver extension must be used with power supply with current limiting of max 5A and proper short circuit protection.



章 節	LED-27
頁 次	1-1

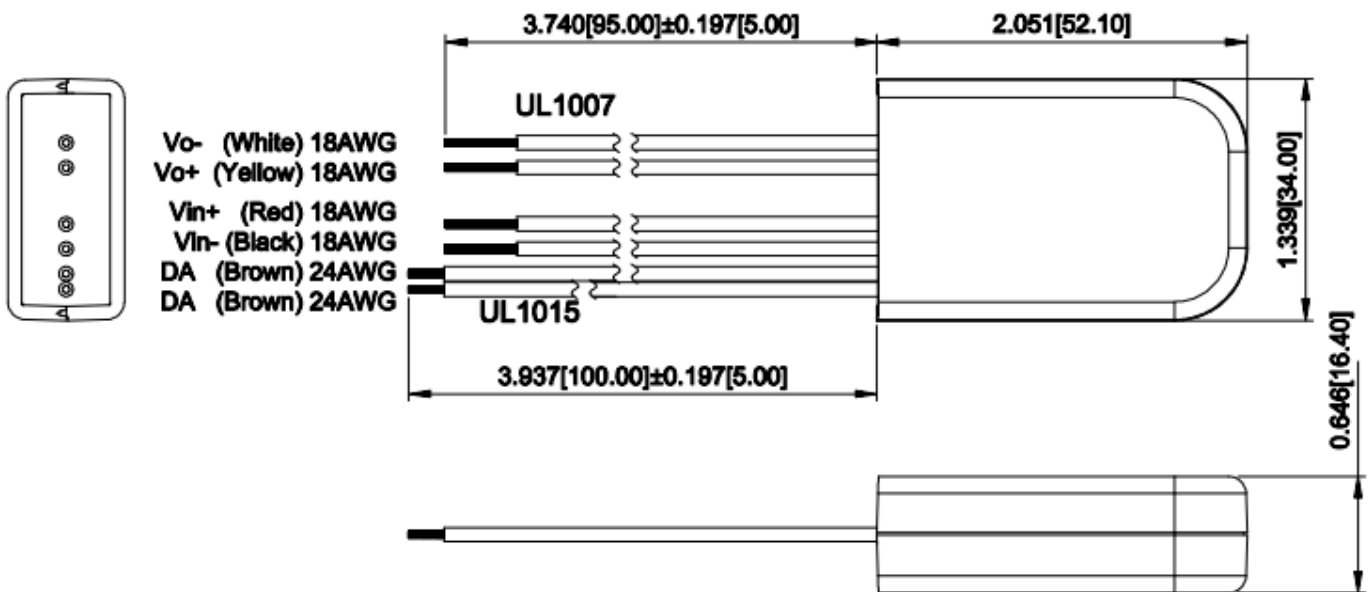
# Installation Drawing

## Installation Drawing



# Mechanical Drawing

All Dimensions in Inches[mm]  
 Tolerance Inches:x.xxx±0.02  
 Millimeters:x.xx±0.5



章 節	LED-27
頁 次	1-2