



TRG30R V Series

Application Note V12

<p>30W AC-DC INTERCHANGEABLE PLUG SWITCHING ADAPTER TRG30R V Series APPLICATION NOTE</p>



Approved By:

Department	Approved By	Checked By	Written By
Research and Development Department	Ovid	Yang/ Shih Hang	Joyce
Design Quality Department	Benny	JoJo	



TRG30R V Series

Application Note V12

Content

1. INTRODUCTION	3
2. ELECTRICAL BLOCK DIAGRAM	3
3. MAIN FEATURES AND FUNCTIONS	4
3.1 <i>Operating Temperature Range</i>	4
3.2 <i>Output Protection</i>	4
4. APPLICATIONS	4
4.1 <i>Test Set-Up</i>	4
4.2 <i>Output Ripple and Noise Measurement</i>	4
5. PACKING INFORMATION	5



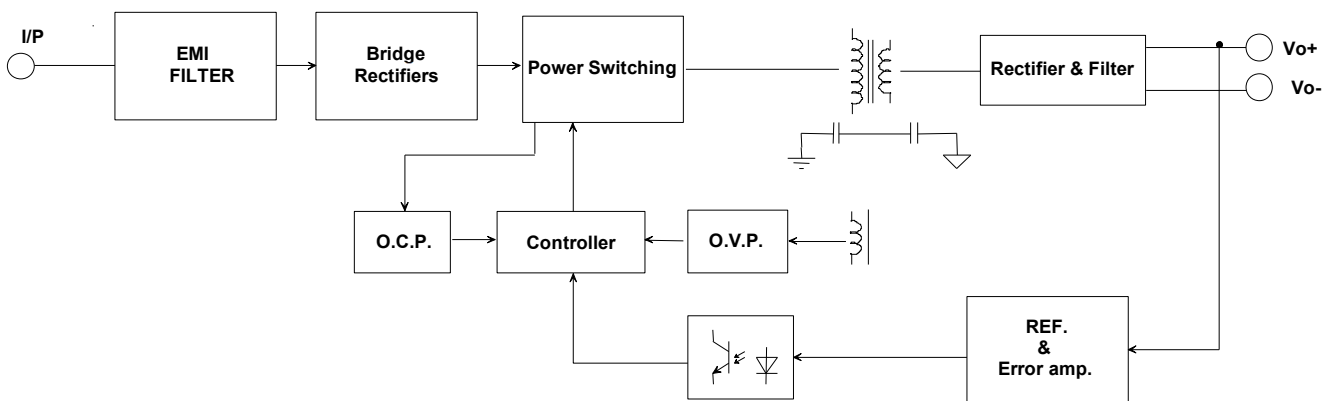
TRG30R V Series

Application Note V12

1. Introduction

This application note describes the features and functions of Cincon's TRG30R V series of adapter, switching AC-DC power. These are highly efficient, reliable, compact, high power density, single output AC/DC power. The power is fully protected against short circuit and over-voltage conditions. Cincon's world class automated manufacturing methods, together with an extensive testing and qualification program, ensure that the TRG30R V series power is extremely reliable.

2. Electrical Block Diagram





TRG30R V Series

Application Note V12

3. Main Features and Functions

3.1 Operating Temperature Range

The highly efficient design of Cincon's TRG30R V series power has resulted in their ability to operate within ambient temperature environments from -20°C to 60°C. Due consideration must be given to the derating curves when ascertaining the maximum power that can be drawn from the power. The maximum power which can be drawn is influenced by a number of factors, such as:

- Input voltage range
- Permissible output load (per derating curve)

3.2 Output Protection

All different voltage models have a full continuous short-circuit protection. The unit will auto recover once the short circuit is removed. To provide protection in a fault condition, the unit is equipped with internal over-current protection. The unit operates normally once the fault condition is removed. The power module will supply up to 110% - 160% of rated current. In the event of an over current converter will go into a hiccup mode protection.

4. Applications

4.1 Test Set-Up

The basic test set-up to measure parameters such as efficiency and load regulation is shown in Figure 1. When testing the Cincon's TRG30R V series under any transient conditions, please ensure that the transient response of the source is sufficient to power the equipment under test. We can calculate the

- Efficiency
- Load regulation and line regulation

The value of efficiency is defined as:

$$\eta = \frac{V_o \times I_o}{P_{in}} \times 100\%$$

Where:

- V_o is output voltage,
- I_o is output current,
- P_{in} is input power

The value of load regulation is defined as:

$$Load\ reg1. = \frac{V_{FL} - V_{NL}}{V_{NL}} \times 100\%$$

Where:

- V_{FL} is the output voltage at 100% full load
- V_{NL} is the output voltage at 60% full load

$$Load\ reg2. = \frac{V_{FL} - V_{NL}}{V_{NL}} \times 100\%$$

Where:

- V_{FL} is the output voltage at 60% full load
- V_{NL} is the output voltage at 20% full load

The value of line regulation is defined as:

$$Line\ reg. = \frac{V_{HL} - V_{LL}}{V_{LL}} \times 100\%$$

Where:

- V_{HL} is the output voltage of maximum input voltage at 100% full load
- V_{LL} is the output voltage of minimum input voltage at 100% full load

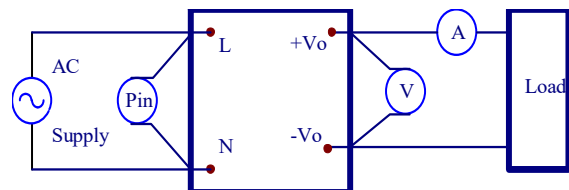


Figure 1. TRG30R V Series Test Setup

4.2 Output Ripple and Noise Measurement

The test set-up for noise and ripple measurements is shown in Figure 2 Measured method:

Add a C1: 10uF electrolytic capacitor and a C2: 0.1uF ceramic capacitor to output at 20 MHz band width.

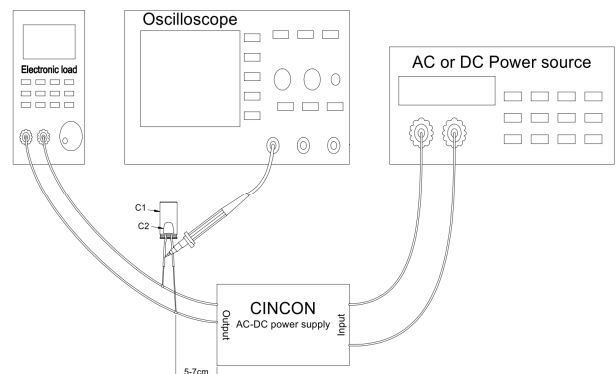


Figure 2. Output Voltage Ripple and Noise Measurement Set-Up

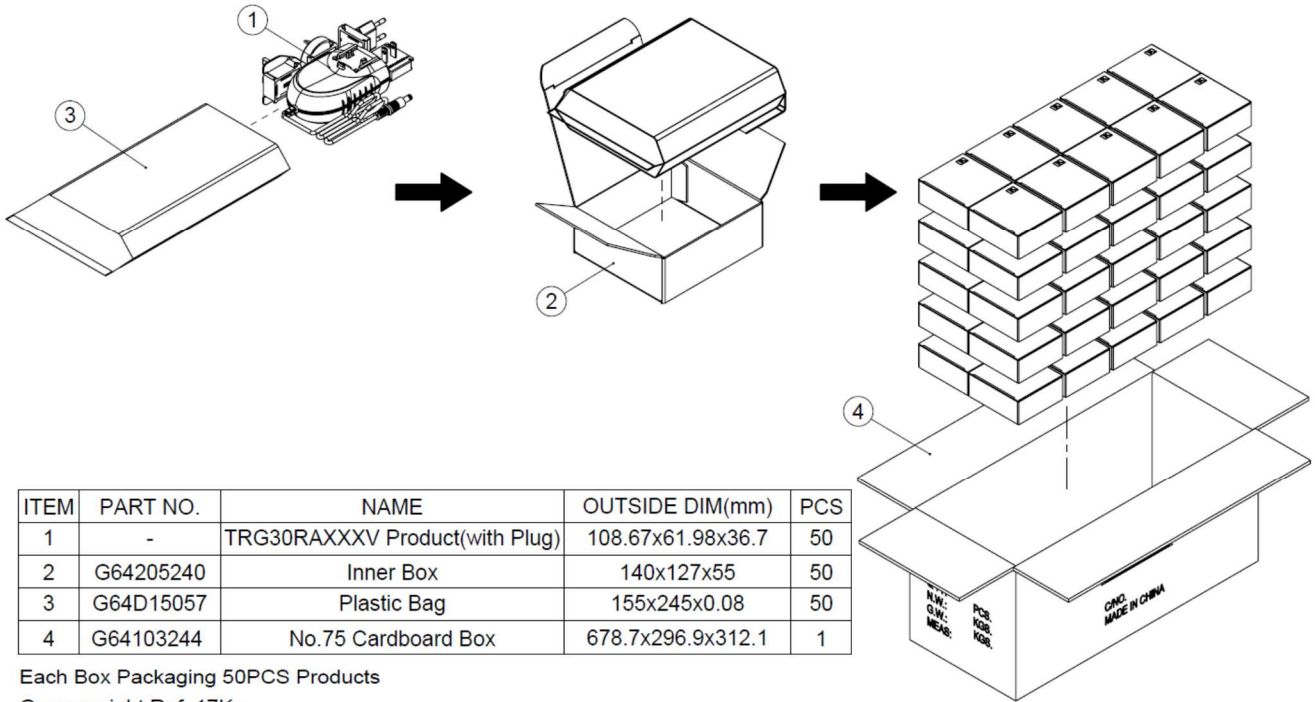


TRG30R V Series

Application Note V12

5. Packing Information

The packing information for TRG30R V series is showing as follows:



ITEM	PART NO.	NAME	OUTSIDE DIM(mm)	PCS
1	-	TRG30RAXXXV Product(with Plug)	108.67x61.98x36.7	50
2	G64205240	Inner Box	140x127x55	50
3	G64D15057	Plastic Bag	155x245x0.08	50
4	G64103244	No.75 Cardboard Box	678.7x296.9x312.1	1

Each Box Packaging 50PCS Products
Gross weight Ref. 17Kg

TRG30R V 50pcs a box, including the total weight of package material about 17.0Kg

Headquarters:

14F, No.306, Sec.4, Hsin Yi Rd.
Taipei, Taiwan
Tel: 886-2-27086210
Fax: 886-2-27029852
E-mail: sales@cincon.com.tw
Web Site: <https://www.cincon.com>

CINCON ELECTRONICS CO., LTD.

Factory:

No. 8-1, Fu Kung Rd.
Fu Hsing Industrial Park
Fu Hsing Hsiang,
Chang Hua Hsien, Taiwan
Tel: 886-4-7690261
Fax: 886-4-7698031

Cincon North America:

1655 Mesa Verde Ave. Ste 180
Ventura, CA 93003
Tel: 805-639-3350
Fax: 805-639-4101
E-mail: info@cincon.com