



# TRH100A Series Application Note V11

## 100W AC-DC Medical Switch Power Adapter TRH100A Series APPLICATION NOTE



Approved By:

Department	Approved By	Checked By	Written By
Research and Development Department	Ovid	Calvin	Red
Design Quality Department	Benny	JoJo	



# TRH100A Series

## Application Note V11

---

### Content

<b>1. INTRODUCTION</b>	<b>3</b>
<b>2. ELECTRICAL BLOCK DIAGRAM</b>	<b>3</b>
<b>3. MAIN FEATURES AND FUNCTIONS</b>	<b>4</b>
3.1 <i>Operating Temperature Range</i>	4
3.2 <i>Output Protection (Over Current Protection)</i>	4
<b>4. APPLICATIONS</b>	<b>4</b>
4.1 <i>Test Set-Up</i>	4
4.2 <i>Output Ripple and Noise Measurement</i>	4
<b>5. PACKING INFORMATION</b>	<b>5</b>



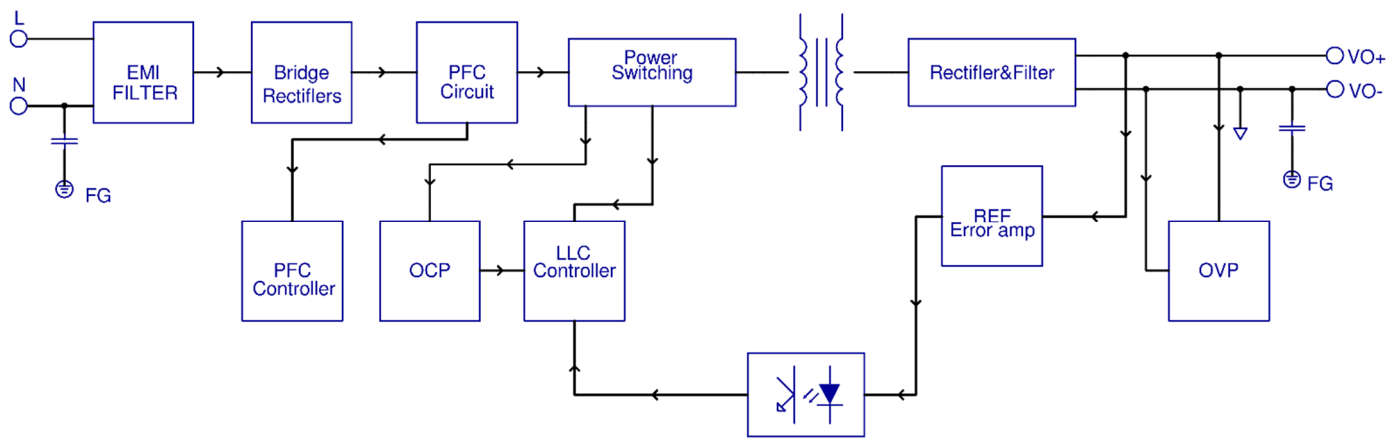
# TRH100A Series

## Application Note V11

### 1. Introduction

This application note describes the features and functions of Cincon's TRH100A series of switch power adapter. These are highly efficient, reliable, compact, high power density, single output AC/DC switch power adapter. The switch power adapter is fully protected against short circuit and over-voltage conditions. Cincon's world class automated manufacturing methods, together with an extensive testing and qualification program, ensure that the TRH100A series switch power adapter is extremely reliable.

### 2. Electrical Block Diagram





# TRH100A Series

## Application Note V11

### 3. Main Features and Functions

#### 3.1 Operating Temperature Range

The highly efficient design of Cincon's TRH100A series switch power adapter has resulted in their ability to operate within ambient temperature environments from -30°C to 70°C (40°C~70°C with 2.5%/°C de-rating). Due consideration must be given to the de-rating curves when ascertaining the maximum power that can be drawn from the switch power adapter. The maximum power which can be drawn is influenced by a number of factors, such as:

- Input voltage range
- Permissible output load (per derating curve)
- Effective heat sinks

#### 3.2 Output Protection (Over Current Protection)

The switch power adapter provide full continuous short-circuit protection. The unit will auto recover once the short circuit is removed. To provide protection in a fault condition, the unit is equipped with internal over-current protection. The unit will operate normally once the fault condition is removed. The switch power adapter will go to hiccup mode if the output current is set from 110% to 130% of rated current.

### 4. Applications

#### 4.1 Test Set-Up

The basic test set-up to measure parameters such as efficiency and load regulation is shown in Figure 1. When testing the Cincon's TRH100A series under any transient conditions, please ensure that the transient response of the source is sufficient to power the equipment under test. We can calculate the

- Efficiency
- Load regulation and line regulation

The value of efficiency is defined as:

$$\eta = \frac{V_o \times I_o}{P_{in}} \times 100\%$$

Where:

- $V_o$  is output voltage
- $I_o$  is output current
- $P_{in}$  is input power

The value of load regulation is defined as:

$$Load\ reg1. = \frac{V_{FL} - V_{NL}}{V_{NL}} \times 100\%$$

Where:

- $V_{FL}$  is the output voltage at full load
- $V_{NL}$  is the output voltage at 60% load

$$Load\ reg2. = \frac{V_{FL} - V_{NL}}{V_{NL}} \times 100\%$$

Where:

- $V_{FL}$  is the output voltage at 60% load
- $V_{NL}$  is the output voltage at 20% load

The value of line regulation is defined as:

$$Line\ reg. = \frac{V_{HL} - V_{LL}}{V_{LL}} \times 100\%$$

Where:

- $V_{HL}$  is the output voltage of maximum input voltage at full load
- $V_{LL}$  is the output voltage of minimum input voltage at full load

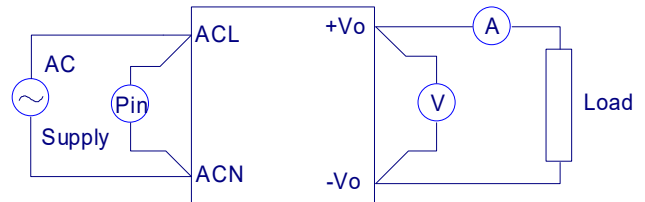


Figure 1. TRH100A Series Test Setup

#### 4.2 Output Ripple and Noise Measurement

The test set-up for noise and ripple measurements is shown in Figure 2. Measured method:

Add a C2=0.1uF ceramic capacitor and a C1=10uF electrolytic capacitor to output at 20 MHz Band Width.

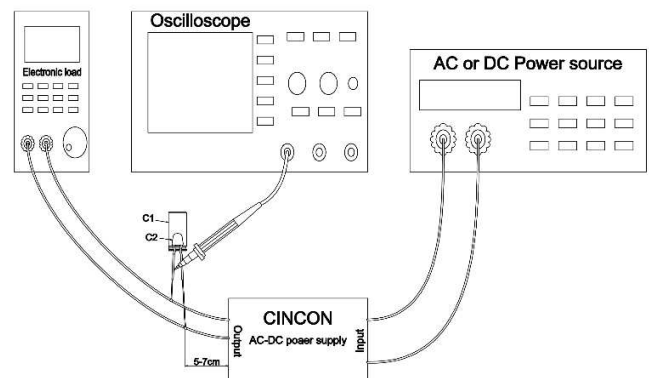


FIGURE 2. Output Voltage Ripple and Noise Measurement Set up

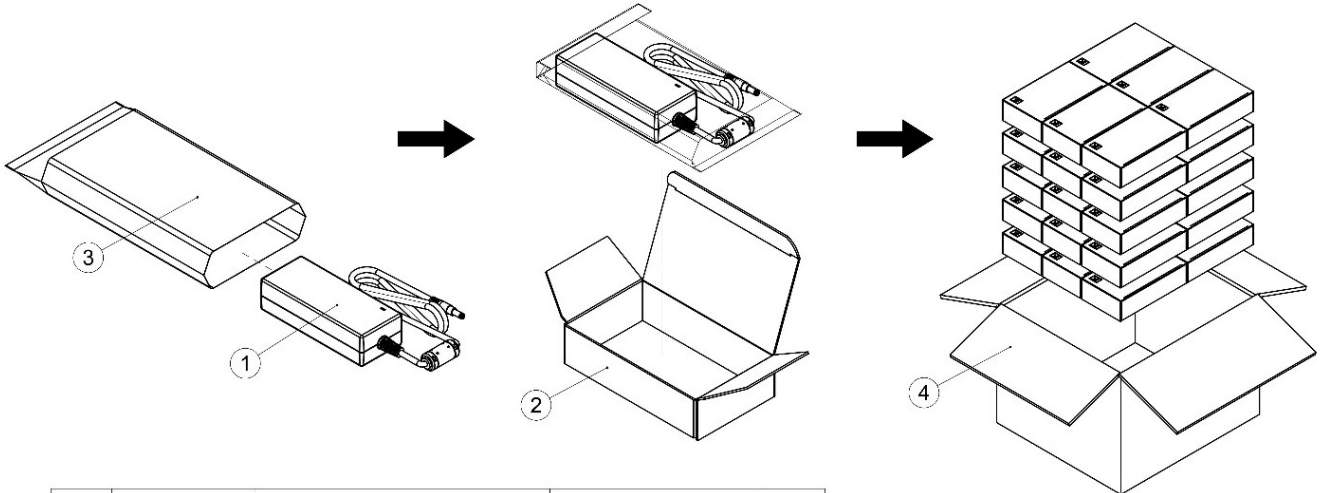


# TRH100A Series

## Application Note V11

### 5. Packing Information

The packing information for TRH100A series is showing as follows:



ITEM	PART NO.	NAME	OUTSIDE DIM	PCS
1	G98~	TRH100AXXX Product	142x58x37mm	30
2	G64205321	Inner Box	185x110x50mm	30
3	G64D15057	Plastic Bag	155x245mmx0.08mm	30
4	G64114345	No.163 Cardboard Box	385x345x280mm	1

Each Box Packaging 30 PCS Products

Gross weight Ref. 16.5 Kg

### CINCON ELECTRONICS CO., LTD.

#### Headquarters:

14F, No.306, Sec.4, Hsin Yi Rd.  
 Taipei, Taiwan  
 Tel: 886-2-27086210  
 Fax: 886-2-27029852  
 E-mail: [sales@cincon.com.tw](mailto:sales@cincon.com.tw)  
 Web Site: <https://www.cincon.com>

#### Factory:

No. 8-1, Fu Kung Rd.  
 Fu Hsing Industrial Park  
 Fu Hsing Hsiang,  
 Chang Hua Hsien, Taiwan  
 Tel: 886-4-7690261  
 Fax: 886-4-7698031

#### Cincon North America:

1655 Mesa Verde Ave. Ste 180  
 Ventura, CA 93003  
 Tel: 805-639-3350  
 Fax: 805-639-4101  
 E-mail: [info@cincon.com](mailto:info@cincon.com)